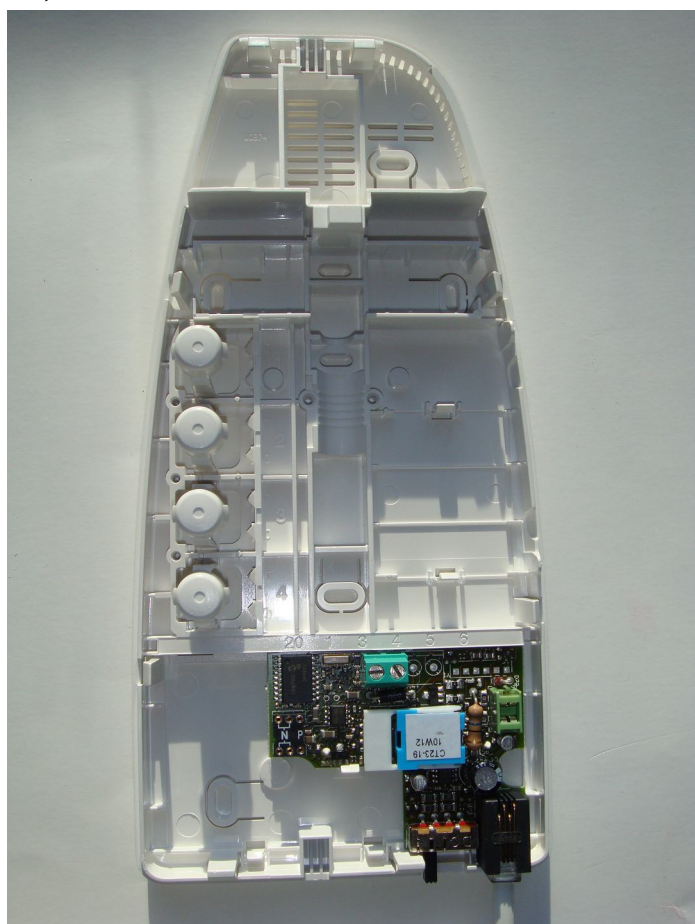


Bticino 344202 (2 Wire)



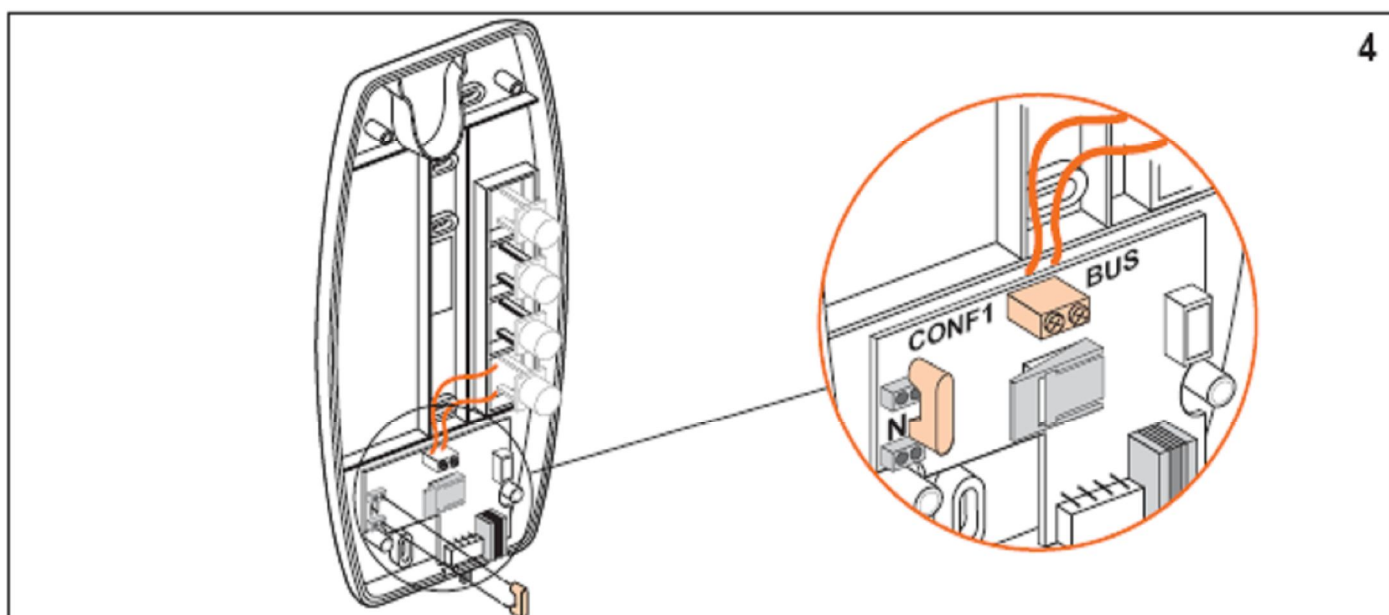
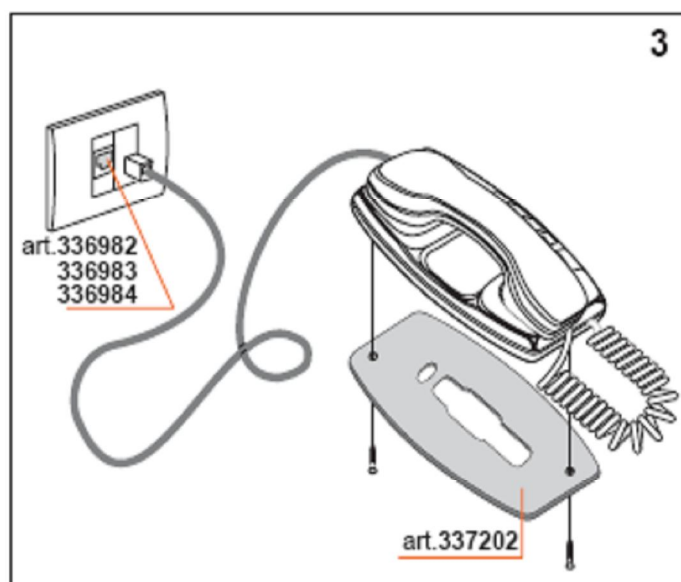
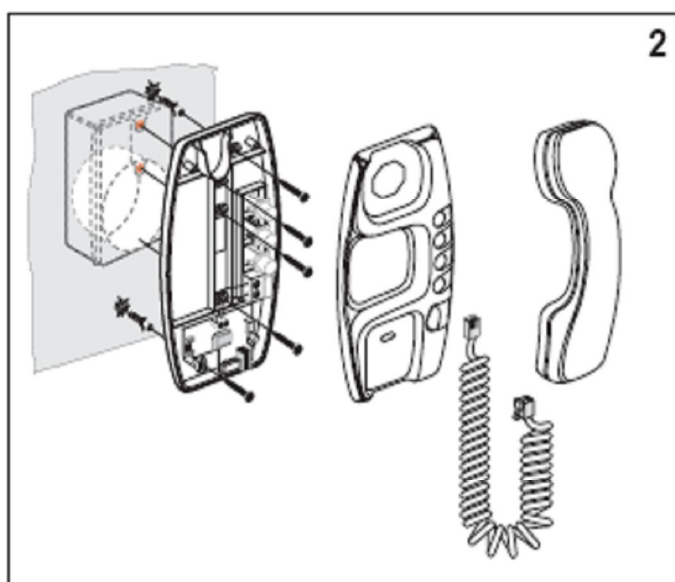
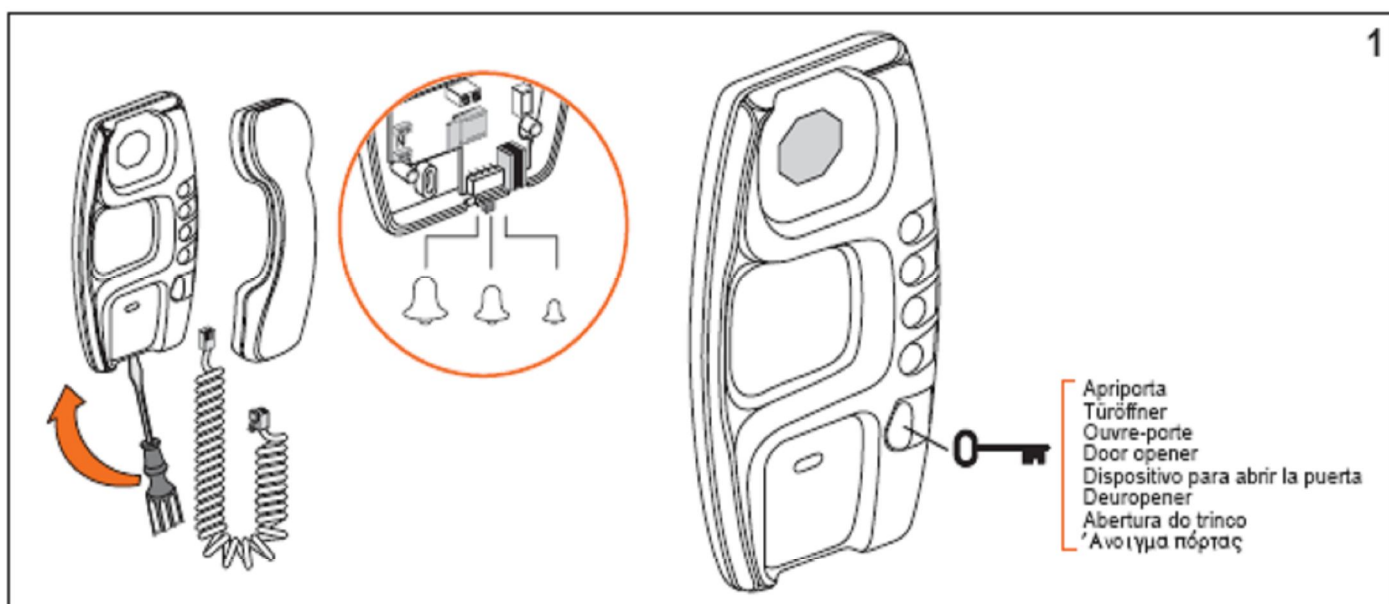
Terminals

- 3 Bus Input**
- 4 Bus Input**

IMPORTANT NOTE :

- 1) Before replacing the handset make note of the wires to each terminal on the existing unit (an easy way is to cut each core off leaving a piece of the insulation in place with colour visible) twist unused cores together (so you know they are not used, do not short them out).
- 2) Some older systems will have cable with one coloured core and a solid white core in this case mark each core with a marker or tape.
- 3) Some systems may have loop on wiring, you will have 2 cables into your handset (make sure any joins remain, as these may be serving other flats on the system).

Configuration



Wiring Diagrams

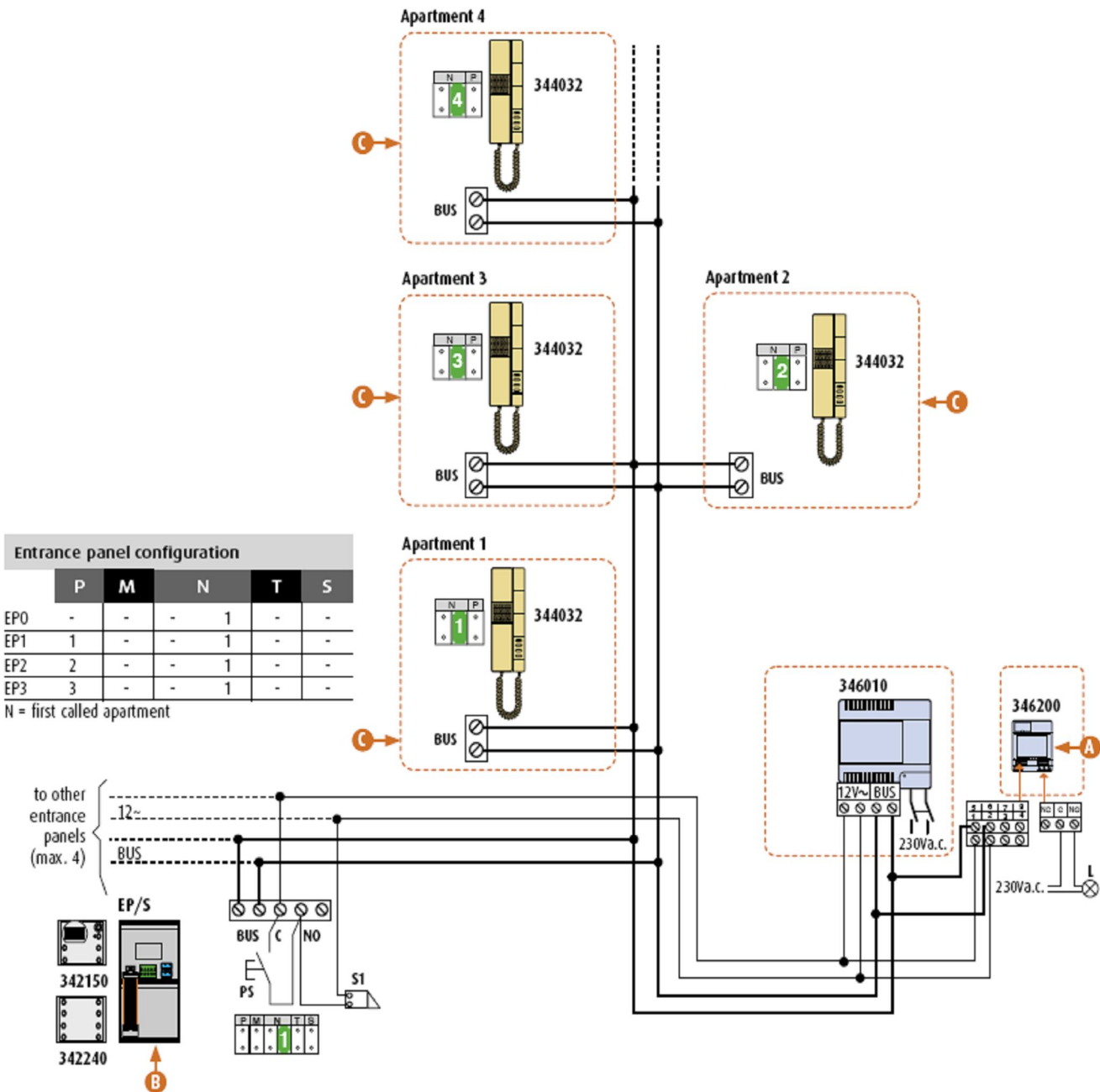
2F - DIAGRAM 3 1 OR MORE MAIN AUDIO ENTRANCE PANELS - MAX. 26 HANDSETS

Legend

Ref.	Description
EP/S	SFERA entrance panel (main)
342150	speaker module
342240	pushbutton module
S1	electric door lock - max. 4A
344032	PIVOT audio handset
346010	power supply
346200	actuator
PS	door lock pushbutton
L	staircase light

⚠ WARNING

- Configure and insert the Jumpers with the system SWITCHED OFF. Also every time the configuration is modified the power supply to the system must be switched off and on again, waiting about 1 minute.
- A** - Use of the actuator is optional for the staircase light service or generic actuations. (see configuration actuator page).
- B** - For the realization of the entrance panel can be used without distinction the SFERA or MINISFERA pushbutton panels or the universal speaker unit or the digital call modules.
- C** - To install alternative handsets to those indicated in the diagrams refer to "HANDSET VERSIONS" section.



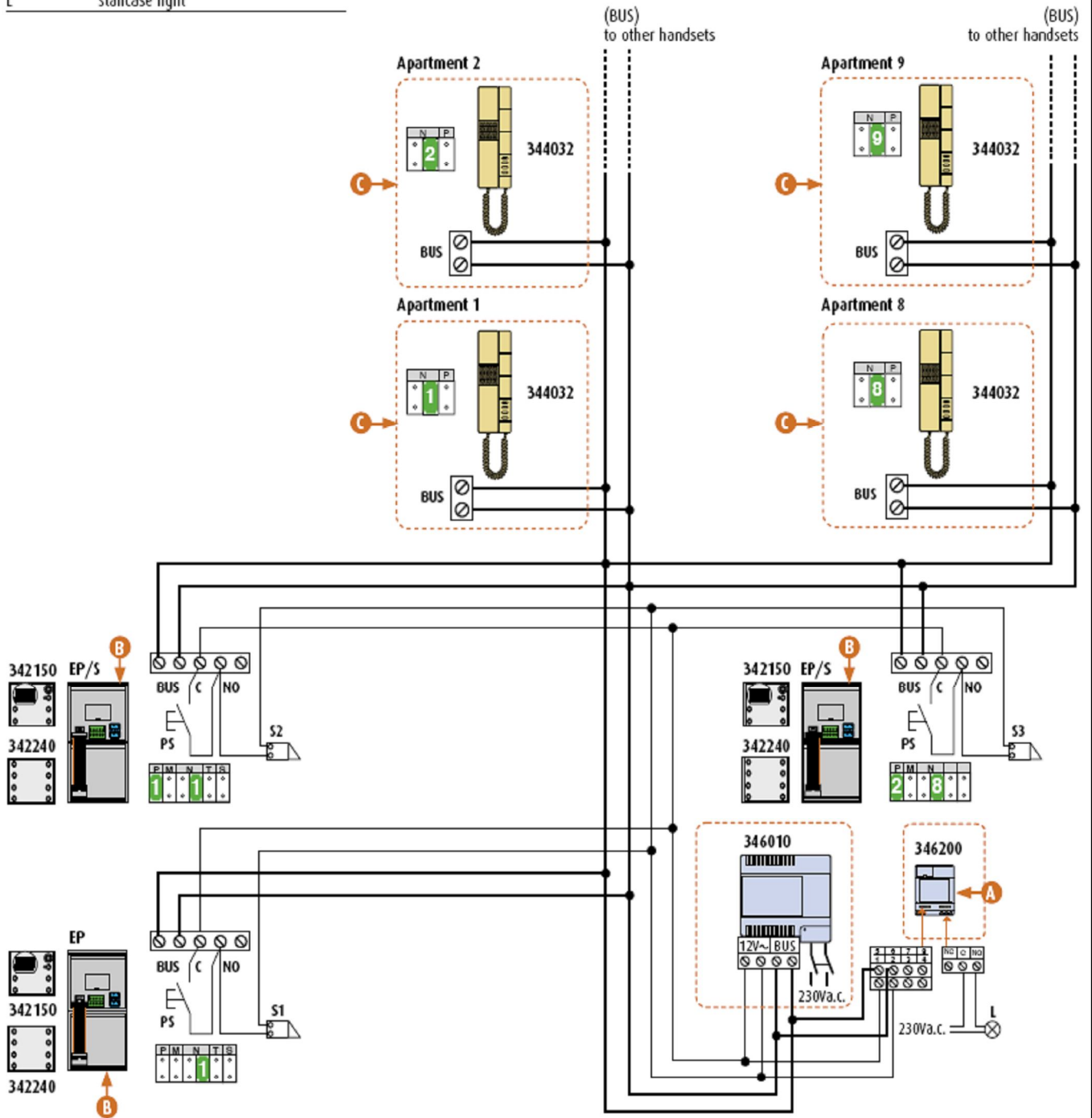
Legend

Ref.	Description
EP	SFERA entrance panel (main)
EP/S	SFERA entrance panel (secondary)
342150	speaker module
342240	pushbutton module
S1-S2-S3	electric door lock - max. 4A
344032	PIVOT audio handset
346010	power supply
346200	actuator
PS	door lock pushbutton
L	staircase light

WARNING

- Configure and insert the Jumpers with the system SWITCHED OFF. Also every time the configuration is modified the power supply to the system must be switched off and on again, waiting about 1 minute.

- A** - Use of the actuator is optional for the staircase light service or generic actuations. (see configuration actuator page).
- B** - For the realization of the entrance panel can be used without distinction the SFERA or MINISFERA pushbutton panels or the universal speaker unit or the digital call modules.
- C** - To install alternative handsets to those indicated in the diagrams refer to "HANDSET VERSIONS" section.

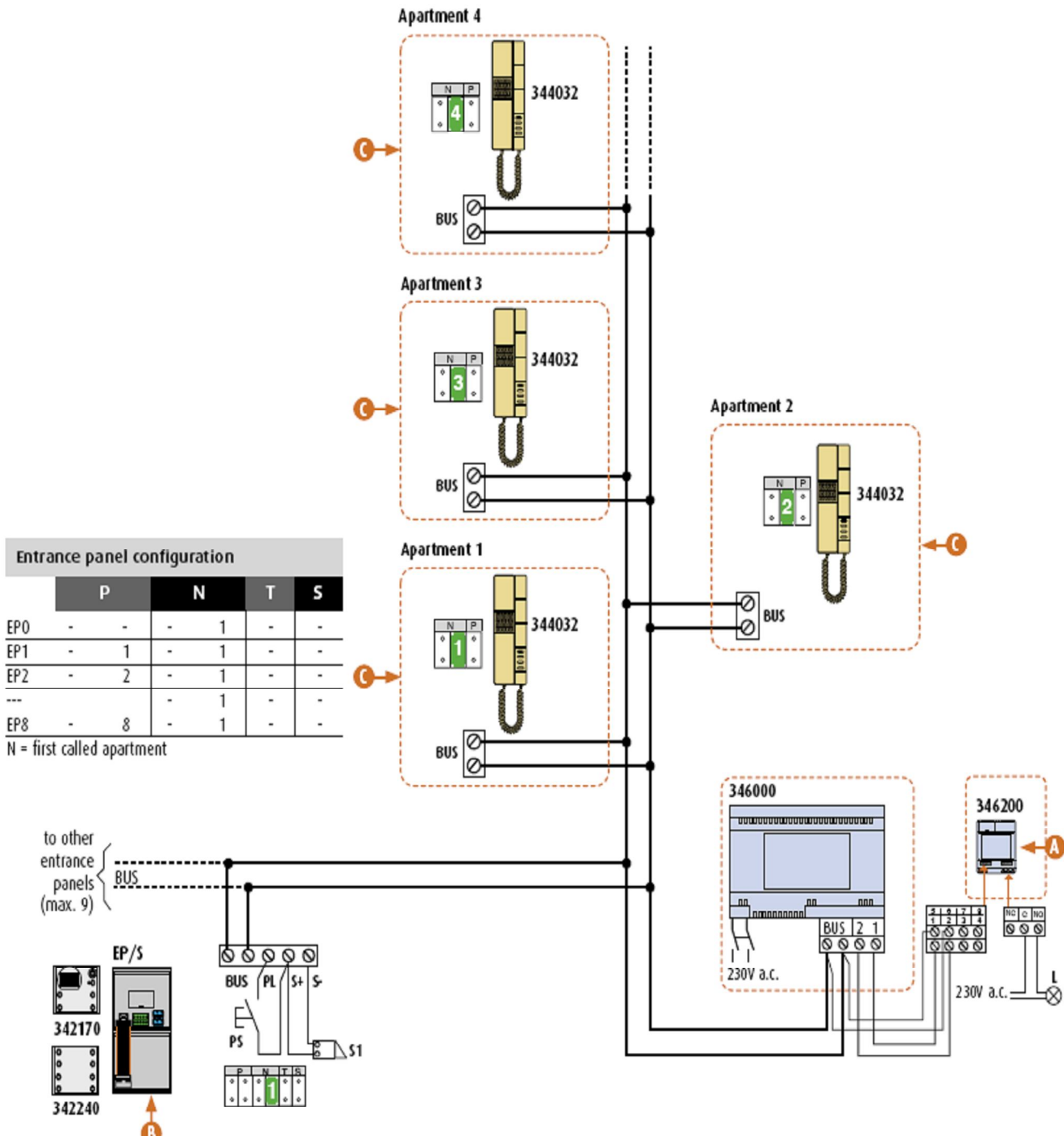


Legend

Ref.	Description
EP/S	SFERA entrance panel (main)
342170	speaker module
342240	pushbutton module
S1	electric door lock 18V 4A impulsive 250mA holding current
344032	PIVOT audio handset
346000	power supply
346200	actuator
PS	door lock pushbutton
L	staircase light

WARNING

- Configure and insert the Jumpers with the system SWITCHED OFF. Also every time the configuration is modified the power supply to the system must be switched off and on again, waiting about 1 minute.
- A** - Use of the actuator is optional for the staircase light service or generic actuations. (see configuration actuator page).
- B** - For the realization of the entrance panel can be used without distinction the SFERA or MINISFERA pushbutton panels or the universal speaker unit or the digital call modules. For more information consult the "ENTRANCE PANEL VERSIONS" section.
- C** - To install alternative handsets to those indicated in the diagrams refer to "HANDSET VERSIONS" section.



Entrance panel configuration

	P	N	T	S
EP0	-	-	1	-
EP1	-	1	1	-
EP2	-	2	1	-
---	-	-	1	-
EP8	-	8	1	-

N = first called apartment

Legend

Ref.	Description
EP/M	MINISFERA entrance panel
342702	speaker module
342704	pushbutton module
S2 - S3	electric door lock 18V 4A impulsive 250mA holding current (max. 30 Ohm)
EP/S	SFERA entrance panel (main)
342170	speaker module
342240	pushbutton module
S1	electric door lock 18V 4A impulsive 250mA holding current
344032	PIVOT audio handset
346000	power supply
346200	actuator
PS	door lock pushbutton
L	staircase light

WARNING

- Configure and insert the Jumpers with the system SWITCHED OFF. Also every time the configuration is modified the power supply to the system must be switched off and on again, waiting about 1 minute.
- A** - Use of the actuator is optional for the staircase light service or generic actuations. (see configuration actuator page).
- B** - For the realization of the entrance panel can be used without distinction the SFERA or MINISFERA pushbutton panels or the universal speaker unit or the digital call modules.
- C** - To install alternative handsets to those indicated in the diagrams refer to "HANDSET VERSIONS" section.

