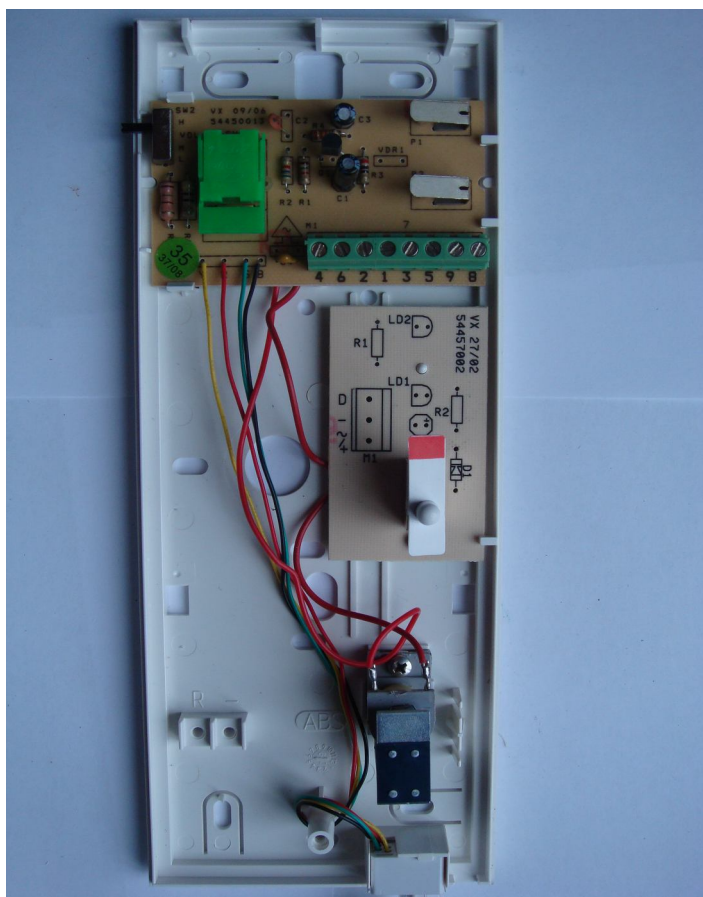


Videx 3102



Terminals

- 4 Electronic Call
- 6 Call AC
- 2 Speech In (Speaker)
- 1 Speech Out (Mic)
- 3 Common
- 5 Lock
- 8 & 9 Volt free button

IMPORTANT NOTE :

1) Before replacing the handset make note of the wires to each terminal on the existing unit (an easy way is to cut each core off leaving a piece of the insulation in place with colour visible) twist unused cores together (so you know they are not used, do not short them out).

2) Some older systems will have cable with one coloured core and a solid white core in this case mark each core with a marker or tape.

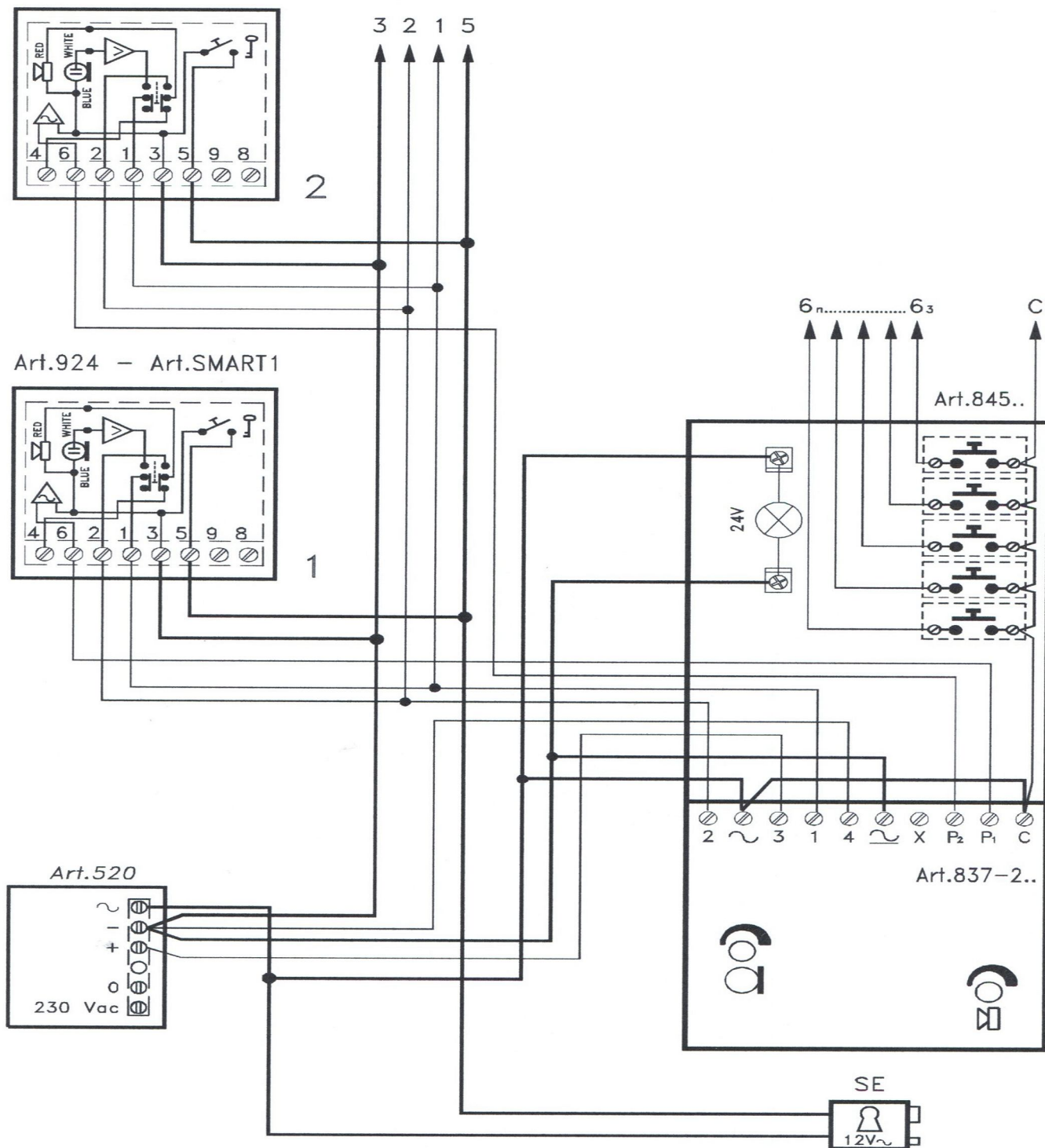
3) Some systems may have loop on wiring, you will have 2 cables into your handset (make sure any joins remain, as these may be serving other flats on the system).

Wiring Diagram

Videx 924 / Smart / 3102

1 Way Audio AC Call

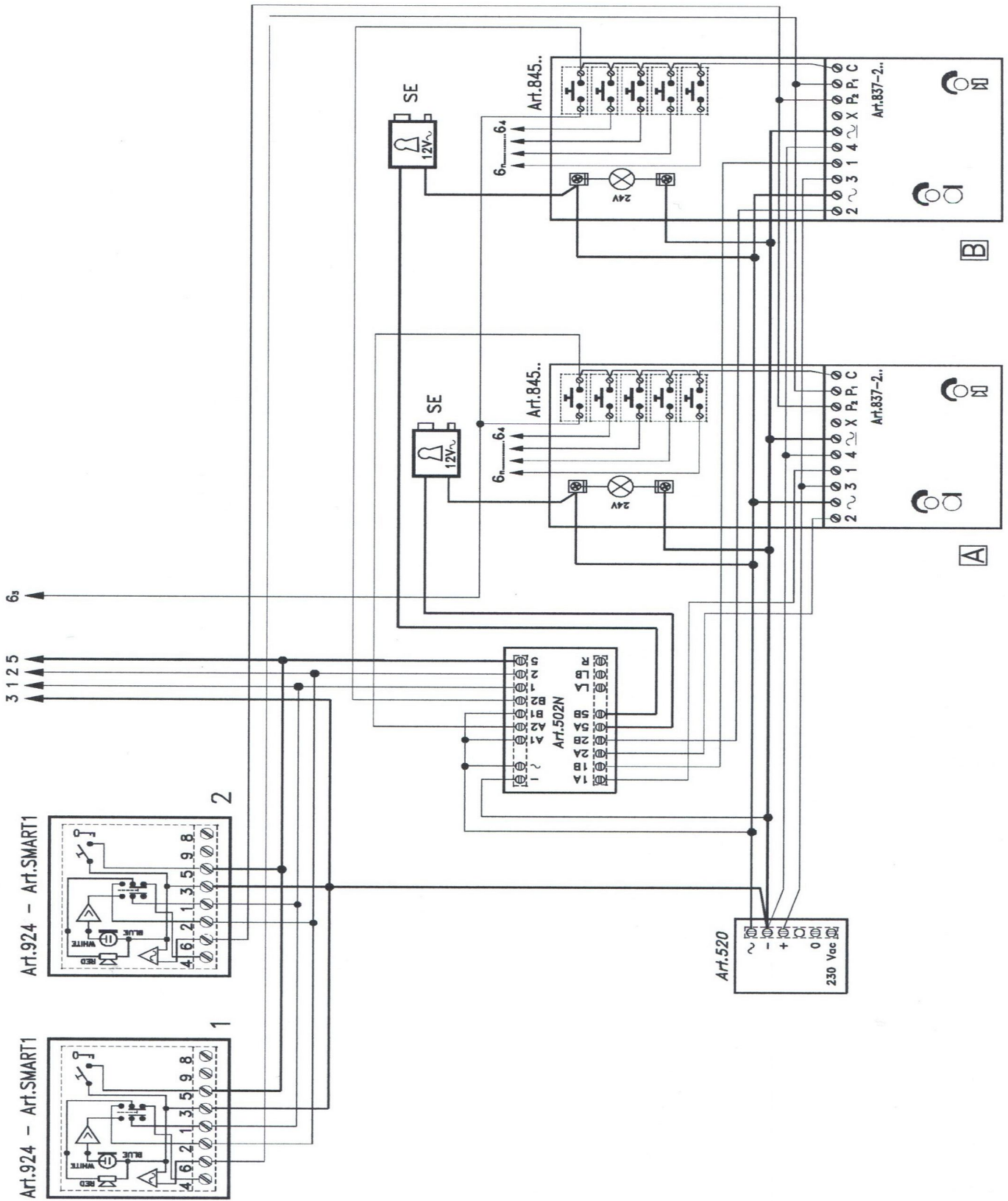
Art.924 - Art.SMART1



Wiring Diagram

Videx 924 / Smart / 3102

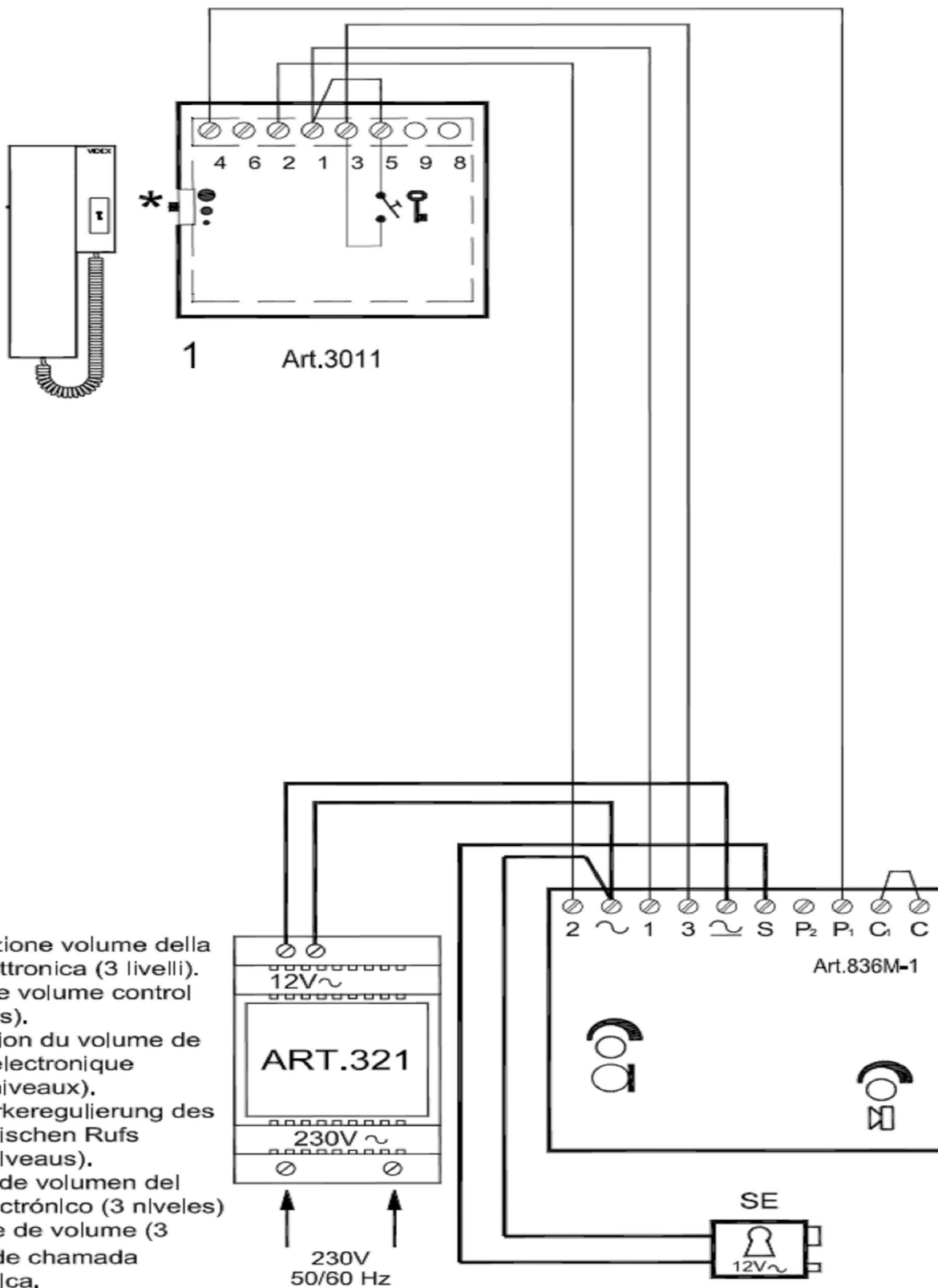
2 Entrance Panels



Wiring Diagram

Videx 3011/ 3101 / 3102

4 wire operation with electronic call tone



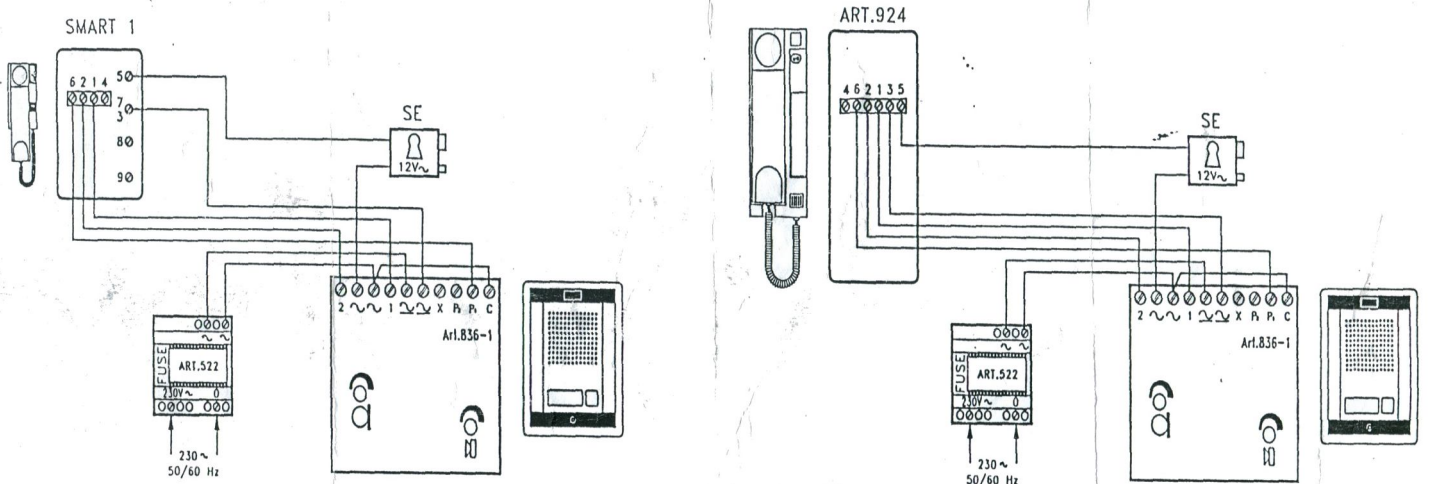
*

- Regolazione volume della nota elettronica (3 livelli).
- Call tone volume control (3 Levels).
- Régulation du volume de l'appel électronique (sur 3 niveaux).
- Lautstärkeregulierung des elektronischen Rufs (auf 3 Niveaus).
- Control de volumen del tono electrónico (3 niveles)
- Controle de volume (3 níveis) de chamada electrónica.

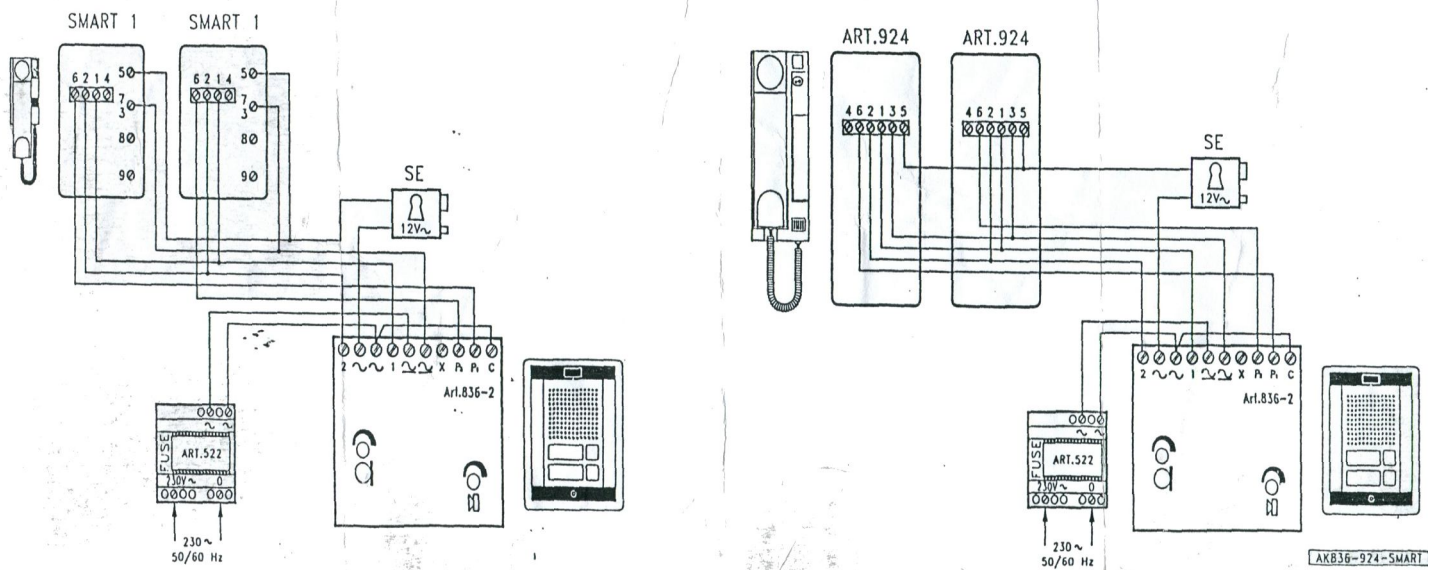
Wiring Diagram

Systems with 836 amp

Art.836-1 APPLICATION DIAGRAM



Art.836-2 APPLICATION DIAGRAM



AKB36-924-SMART