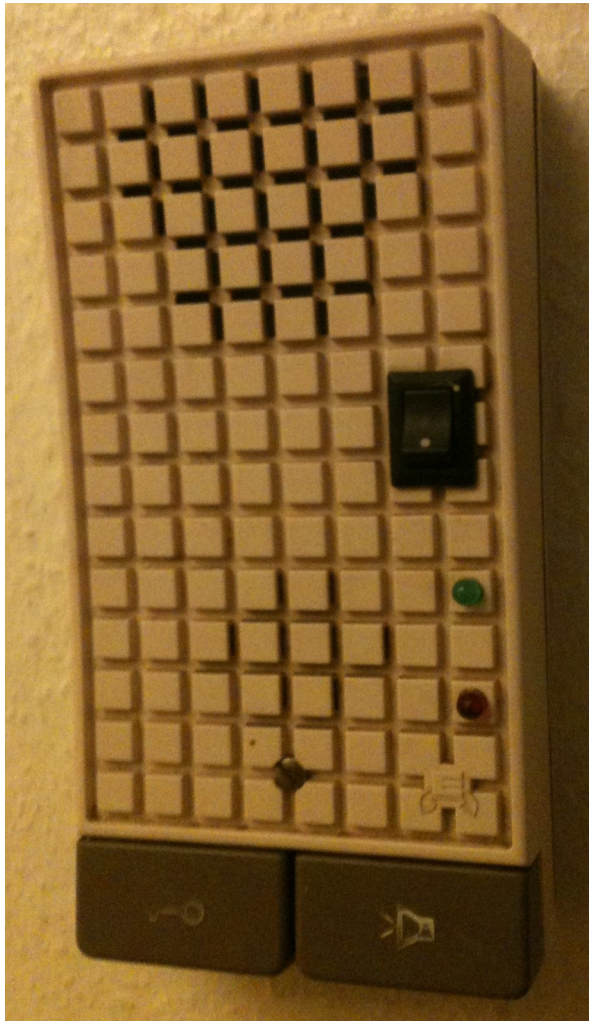


# URMET Super Jolly



## Terminals

AP	Door Release
RZ	Landing Call
CA	Panel Call
6	(Common)
5	Speaker
7	Mic
8	Mic

### **IMPORTANT NOTE :**

1) Before replacing the handset make note of the wires to each terminal on the existing unit (an easy way is to cut each core off leaving a piece of the insulation in place with colour visible) twist unused cores together (so you know they are not used, do not short them out).

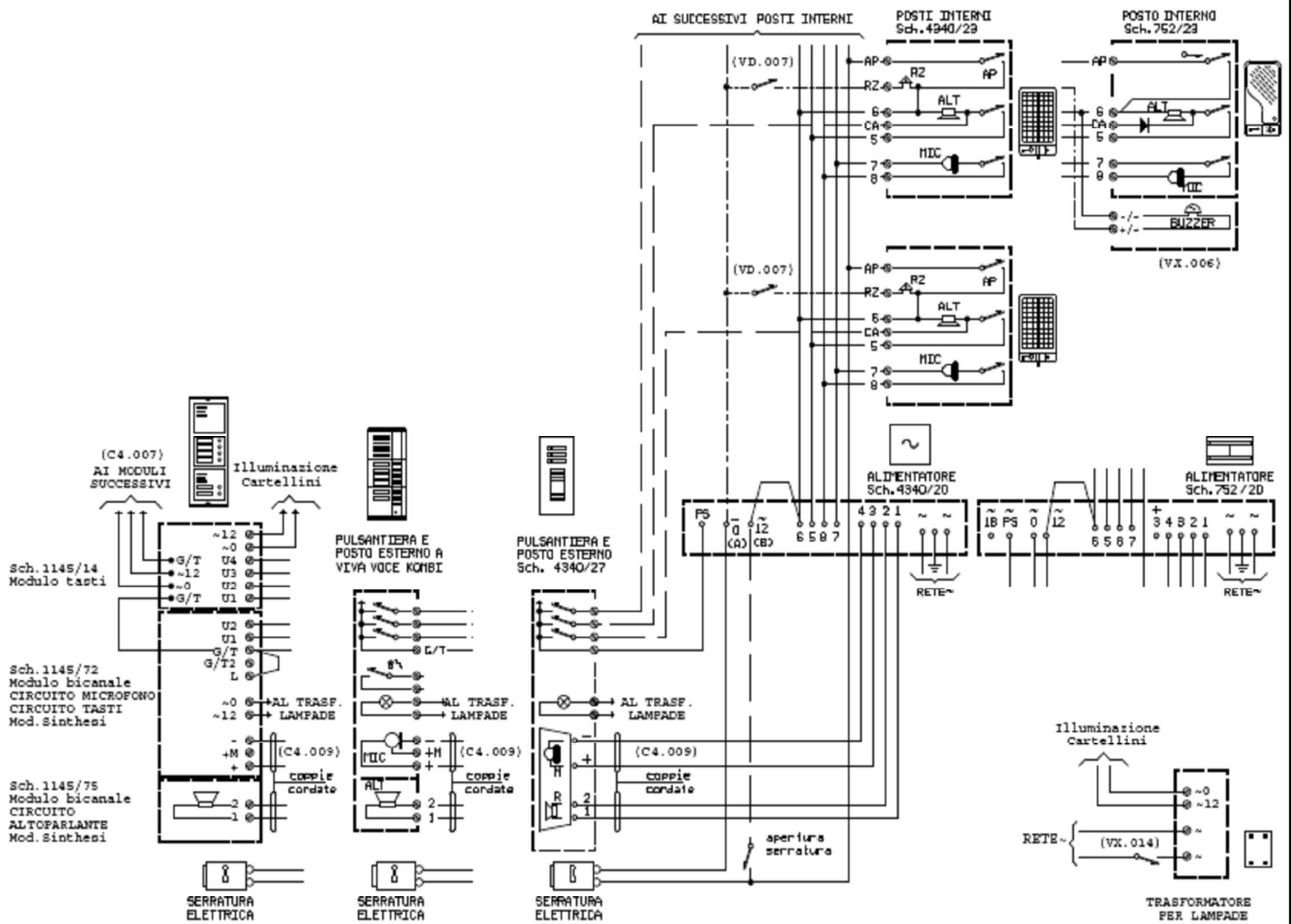
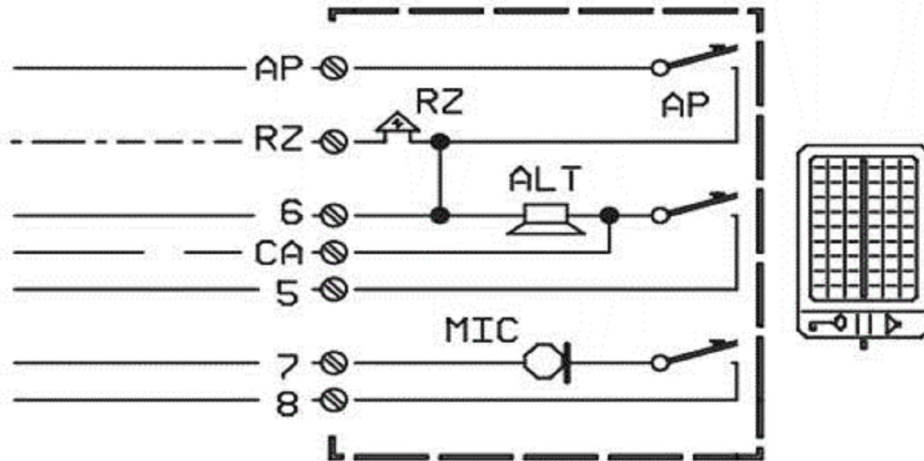
2) Some older systems will have cable with one coloured core and a solid white core in this case mark each core with a marker or tape.

3) Some systems may have loop on wiring, you will have 2 cables into your handset (make sure any joins remain, as these may be serving other flats on the system).

# WIRING DIAGRAM

## URMET 4340/23 SUPER JOLLY

Sch. / Ref. 4340/23



# ENGLISH

## POWER SUPPLIES

### INSTRUCTIONS FOR INSTALLER

Read carefully the following instructions as they provide important directions for safety of installation, use and maintenance.

This set must be used only for that is had been decided, that is to feed house phone and videocontrol systems.

It has been designed in compliance with CEI rules 12/13 V Dec 1988.

Any other use must be considered inappropriate and, therefore, dangerous.

The constructor can not be considered liable for casual damages due to inappropriate, wrong and irrational use.

The installation should be complied with existing CEI rules.

At the system sets must be used only for that they have been devised.

After unpacking, verify any possible damage.

The packing (i.e. plastic bags, foam polystyrene, etc.) must be kept away from children because it is potentially dangerous.

Before connecting the set install an appropriate separation and protection switch.

Before connecting the set verify that the data label correspond to the mains ones.

Do not obstruct the openings or fissures for ventilation or heat elimination.

Before any cleaning or maintenance operation, disconnect the set by means of the system switch.

In case of failure and/or malfunctioning of the set disconnect it by means of the general switch and do not damage it.

To repair the set contact Umet after sales-services.

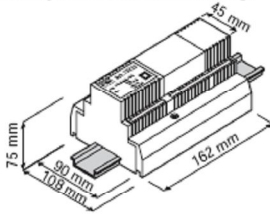
If the above mentioned prescriptions are not followed, the set safely can be compromised.

The installer must verify that the notice for user are present on the slave sets.

This document must be always attached to the power supply.

- Outwards amplifier (input terminals 7-8, output terminals 1-2).

The power supply can be mounted on drawn bars according to DIN 46277 specifications, or fixed to the wall by means of two screws and no.



The length of 162mm corresponds to 9 modules of 18mm each, in accordance with DIN 43880 specifications.

## ACCESSORIES

In the apartment station base it is possible to install the 12Vac buzzer for additional calls Ref. 9854/52.

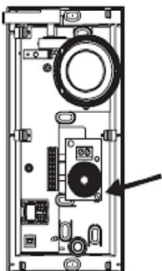
This device must be bought apart and mounted by the installer.

### ELECTRONIC BUZZER

The buzzer Ref. 9854/52 can be used for an additional call.

To mount the buzzer inside the indoor set proceed as follows:

- Screw the buzzer to the base, by using a screw 2,9 x 6,5 (see figure).
- Connect the system wires to the two terminals.



## SYSTEM FEATURES

The duplex system facilities are:

- (Electronic) call from the outside push button panel to the indoor set.
- Conversation from outdoor station to indoor station and vice versa.
- Electric lock opening from the indoor set

The following installations are only possible:

- Connection to 1 outdoor station.
- Connection to 2 outdoor stations with automatic switching.

In the connection diagram for an entrance panel, is also planned the conversation privacy function.

The phone yield of the new system is higher one, since a duplex telephone wiring with electronic balancing has been used (during conversation, the balance lightens one of the two channels, acting on the other one. In this way, it is possible to avoid the "Larsen" effect).

The transmission and reception levels are calibrated on optimum values during production. The installer can only adjust amplification towards the outside by acting on the potentiometer mounted in the loudspeaker module.

Amplification towards the indoor set is not adjustable.

The indoor sets Ref. 752/23 are compatible and interchangeable with the previous indoor sets Ref. 752/23, Ref. 752/231 and Ref. 4340/23, the same for the power supply.

Duo duplex system is made of the following equipments:

- Indoor set Ref. 752/23: with 1 conversation key, 1 door opening key and 1 button for auxiliary services.

- Power supply Ref. 752/20 for bar mounting or wall mounting. Power supply 110-230V, 28VA.

- Outdoor set Sintesi version only:
  - Ref. 1145/75: loudspeaker module.
  - Ref. 1145/70: microphone module.
  - Ref. 1145/71: microphone module with 1 key.
  - Ref. 1145/72: microphone module with 2 keys.

- Accessories
  - The following accessories are available:
    - Ref. 752/60: embedding box for indoor set.
    - Ref. 9854/52: additional electronic buzzer.
    - Ref. 788/52: call repeater relay.
    - Ref. 752/5: secrecy device.
    - Ref. 5330/60: secrecy switch-off device for push button panel.

- Accessories
  - The following accessories are available:
    - Ref. 752/60: embedding box for indoor set.
    - Ref. 9854/52: additional electronic buzzer.
    - Ref. 788/52: call repeater relay.
    - Ref. 752/5: secrecy device.
    - Ref. 5330/60: secrecy switch-off device for push button panel.

- Accessories
  - The following accessories are available:
    - Ref. 752/60: embedding box for indoor set.
    - Ref. 9854/52: additional electronic buzzer.
    - Ref. 788/52: call repeater relay.
    - Ref. 752/5: secrecy device.
    - Ref. 5330/60: secrecy switch-off device for push button panel.

- Accessories
  - The following accessories are available:
    - Ref. 752/60: embedding box for indoor set.
    - Ref. 9854/52: additional electronic buzzer.
    - Ref. 788/52: call repeater relay.
    - Ref. 752/5: secrecy device.
    - Ref. 5330/60: secrecy switch-off device for push button panel.

- Accessories
  - The following accessories are available:
    - Ref. 752/60: embedding box for indoor set.
    - Ref. 9854/52: additional electronic buzzer.
    - Ref. 788/52: call repeater relay.
    - Ref. 752/5: secrecy device.
    - Ref. 5330/60: secrecy switch-off device for push button panel.

- Accessories
  - The following accessories are available:
    - Ref. 752/60: embedding box for indoor set.
    - Ref. 9854/52: additional electronic buzzer.
    - Ref. 788/52: call repeater relay.
    - Ref. 752/5: secrecy device.
    - Ref. 5330/60: secrecy switch-off device for push button panel.

- Accessories
  - The following accessories are available:
    - Ref. 752/60: embedding box for indoor set.
    - Ref. 9854/52: additional electronic buzzer.
    - Ref. 788/52: call repeater relay.
    - Ref. 752/5: secrecy device.
    - Ref. 5330/60: secrecy switch-off device for push button panel.

- Accessories
  - The following accessories are available:
    - Ref. 752/60: embedding box for indoor set.
    - Ref. 9854/52: additional electronic buzzer.
    - Ref. 788/52: call repeater relay.
    - Ref. 752/5: secrecy device.
    - Ref. 5330/60: secrecy switch-off device for push button panel.

- Accessories
  - The following accessories are available:
    - Ref. 752/60: embedding box for indoor set.
    - Ref. 9854/52: additional electronic buzzer.
    - Ref. 788/52: call repeater relay.
    - Ref. 752/5: secrecy device.
    - Ref. 5330/60: secrecy switch-off device for push button panel.

- Accessories
  - The following accessories are available:
    - Ref. 752/60: embedding box for indoor set.
    - Ref. 9854/52: additional electronic buzzer.
    - Ref. 788/52: call repeater relay.
    - Ref. 752/5: secrecy device.
    - Ref. 5330/60: secrecy switch-off device for push button panel.

- Accessories
  - The following accessories are available:
    - Ref. 752/60: embedding box for indoor set.
    - Ref. 9854/52: additional electronic buzzer.
    - Ref. 788/52: call repeater relay.
    - Ref. 752/5: secrecy device.
    - Ref. 5330/60: secrecy switch-off device for push button panel.

- Accessories
  - The following accessories are available:
    - Ref. 752/60: embedding box for indoor set.
    - Ref. 9854/52: additional electronic buzzer.
    - Ref. 788/52: call repeater relay.
    - Ref. 752/5: secrecy device.
    - Ref. 5330/60: secrecy switch-off device for push button panel.

- Accessories
  - The following accessories are available:
    - Ref. 752/60: embedding box for indoor set.
    - Ref. 9854/52: additional electronic buzzer.
    - Ref. 788/52: call repeater relay.
    - Ref. 752/5: secrecy device.
    - Ref. 5330/60: secrecy switch-off device for push button panel.

- Accessories
  - The following accessories are available:
    - Ref. 752/60: embedding box for indoor set.
    - Ref. 9854/52: additional electronic buzzer.
    - Ref. 788/52: call repeater relay.
    - Ref. 752/5: secrecy device.
    - Ref. 5330/60: secrecy switch-off device for push button panel.

- Accessories
  - The following accessories are available:
    - Ref. 752/60: embedding box for indoor set.
    - Ref. 9854/52: additional electronic buzzer.
    - Ref. 788/52: call repeater relay.
    - Ref. 752/5: secrecy device.
    - Ref. 5330/60: secrecy switch-off device for push button panel.

- Accessories
  - The following accessories are available:
    - Ref. 752/60: embedding box for indoor set.
    - Ref. 9854/52: additional electronic buzzer.
    - Ref. 788/52: call repeater relay.
    - Ref. 752/5: secrecy device.
    - Ref. 5330/60: secrecy switch-off device for push button panel.

- Accessories
  - The following accessories are available:
    - Ref. 752/60: embedding box for indoor set.
    - Ref. 9854/52: additional electronic buzzer.
    - Ref. 788/52: call repeater relay.
    - Ref. 752/5: secrecy device.
    - Ref. 5330/60: secrecy switch-off device for push button panel.

- Accessories
  - The following accessories are available:
    - Ref. 752/60: embedding box for indoor set.
    - Ref. 9854/52: additional electronic buzzer.
    - Ref. 788/52: call repeater relay.
    - Ref. 752/5: secrecy device.
    - Ref. 5330/60: secrecy switch-off device for push button panel.

- Accessories
  - The following accessories are available:
    - Ref. 752/60: embedding box for indoor set.
    - Ref. 9854/52: additional electronic buzzer.
    - Ref. 788/52: call repeater relay.
    - Ref. 752/5: secrecy device.
    - Ref. 5330/60: secrecy switch-off device for push button panel.

- Accessories
  - The following accessories are available:
    - Ref. 752/60: embedding box for indoor set.
    - Ref. 9854/52: additional electronic buzzer.
    - Ref. 788/52: call repeater relay.
    - Ref. 752/5: secrecy device.
    - Ref. 5330/60: secrecy switch-off device for push button panel.

- Accessories
  - The following accessories are available:
    - Ref. 752/60: embedding box for indoor set.
    - Ref. 9854/52: additional electronic buzzer.
    - Ref. 788/52: call repeater relay.
    - Ref. 752/5: secrecy device.
    - Ref. 5330/60: secrecy switch-off device for push button panel.

- Accessories
  - The following accessories are available:
    - Ref. 752/60: embedding box for indoor set.
    - Ref. 9854/52: additional electronic buzzer.
    - Ref. 788/52: call repeater relay.
    - Ref. 752/5: secrecy device.
    - Ref. 5330/60: secrecy switch-off device for push button panel.

- Accessories
  - The following accessories are available:
    - Ref. 752/60: embedding box for indoor set.
    - Ref. 9854/52: additional electronic buzzer.
    - Ref. 788/52: call repeater relay.
    - Ref. 752/5: secrecy device.
    - Ref. 5330/60: secrecy switch-off device for push button panel.

- Accessories
  - The following accessories are available:
    - Ref. 752/60: embedding box for indoor set.
    - Ref. 9854/52: additional electronic buzzer.
    - Ref. 788/52: call repeater relay.
    - Ref. 752/5: secrecy device.
    - Ref. 5330/60: secrecy switch-off device for push button panel.

- Accessories
  - The following accessories are available:
    - Ref. 752/60: embedding box for indoor set.
    - Ref. 9854/52: additional electronic buzzer.
    - Ref. 788/52: call repeater relay.
    - Ref. 752/5: secrecy device.
    - Ref. 5330/60: secrecy switch-off device for push button panel.

- Accessories
  - The following accessories are available:
    - Ref. 752/60: embedding box for indoor set.
    - Ref. 9854/52: additional electronic buzzer.
    - Ref. 788/52: call repeater relay.
    - Ref. 752/5: secrecy device.
    - Ref. 5330/60: secrecy switch-off device for push button panel.

- Accessories
  - The following accessories are available:
    - Ref. 752/60: embedding box for indoor set.
    - Ref. 9854/52: additional electronic buzzer.
    - Ref. 788/52: call repeater relay.
    - Ref. 752/5: secrecy device.
    - Ref. 5330/60: secrecy switch-off device for push button panel.

- Accessories
  - The following accessories are available:
    - Ref. 752/60: embedding box for indoor set.
    - Ref. 9854/52: additional electronic buzzer.
    - Ref. 788/52: call repeater relay.
    - Ref. 752/5: secrecy device.
    - Ref. 5330/60: secrecy switch-off device for push button panel.

- Accessories
  - The following accessories are available:
    - Ref. 752/60: embedding box for indoor set.
    - Ref. 9854/52: additional electronic buzzer.
    - Ref. 788/52: call repeater relay.
    - Ref. 752/5: secrecy device.
    - Ref. 5330/60: secrecy switch-off device for push button panel.

- Accessories
  - The following accessories are available:
    - Ref. 752/60: embedding box for indoor set.
    - Ref. 9854/52: additional electronic buzzer.
    - Ref. 788/52: call repeater relay.
    - Ref. 752/5: secrecy device.
    - Ref. 5330/60: secrecy switch-off device for push button panel.

- Accessories
  - The following accessories are available:
    - Ref. 752/60: embedding box for indoor set.
    - Ref. 9854/52: additional electronic buzzer.
    - Ref. 788/52: call repeater relay.
    - Ref. 752/5: secrecy device.
    - Ref. 5330/60: secrecy switch-off device for push button panel.

- Accessories
  - The following accessories are available:
    - Ref. 752/60: embedding box for indoor set.
    - Ref. 9854/52: additional electronic buzzer.
    - Ref. 788/52: call repeater relay.
    - Ref. 752/5: secrecy device.
    - Ref. 5330/60: secrecy switch-off device for push button panel.

- Accessories
  - The following accessories are available:
    - Ref. 752/60: embedding box for indoor set.
    - Ref. 9854/52: additional electronic buzzer.
    - Ref. 788/52: call repeater relay.
    - Ref. 752/5: secrecy device.
    - Ref. 5330/60: secrecy switch-off device for push button panel.

- Accessories
  - The following accessories are available:
    - Ref. 752/60: embedding box for indoor set.
    - Ref. 9854/52: additional electronic buzzer.
    - Ref. 788/52: call repeater relay.
    - Ref. 752/5: secrecy device.
    - Ref. 5330/60: secrecy switch-off device for push button panel.

- Accessories
  - The following accessories are available:
    - Ref. 752/60: embedding box for indoor set.
    - Ref. 9854/52: additional electronic buzzer.
    - Ref. 788/52: call repeater relay.
    - Ref. 752/5: secrecy device.
    - Ref. 5330/60: secrecy switch-off device for push button panel.

- Accessories
  - The following accessories are available:
    - Ref. 752/60: embedding box for indoor set.
    - Ref. 9854/52: additional electronic buzzer.
    - Ref. 788/52: call repeater relay.
    - Ref. 752/5: secrecy device.
    - Ref. 5330/60: secrecy switch-off device for push button panel.

- Accessories
  - The following accessories are available:
    - Ref. 752/60: embedding box for indoor set.
    - Ref. 9854/52: additional electronic buzzer.
    - Ref. 788/52: call repeater relay.
    - Ref. 752/5: secrecy device.
    - Ref. 5330/60: secrecy switch-off device for push button panel.

- Accessories
  - The following accessories are available:
    - Ref. 752/60: embedding box for indoor set.
    - Ref. 9854/52: additional electronic buzzer.
    - Ref. 788/52: call repeater relay.
    - Ref. 752/5: secrecy device.
    - Ref. 5330/60: secrecy switch-off device for push button panel.

- Accessories
  - The following accessories are available:
    - Ref. 752/60: embedding box for indoor set.
    - Ref. 9854/52: additional electronic buzzer.
    - Ref. 788/52: call repeater relay.
    - Ref. 752/5: secrecy device.
    - Ref. 5330/60: secrecy switch-off device for push button panel.

- Accessories
  - The following accessories are available:
    - Ref. 752/60: embedding box for indoor set.
    - Ref. 9854/52: additional electronic buzzer.
    - Ref. 788/52: call repeater relay.
    - Ref. 752/5: secrecy device.
    - Ref. 5330/60: secrecy switch-off device for push button panel.

- Accessories
  - The following accessories are available:
    - Ref. 752/60: embedding box for indoor set.
    - Ref. 9854/52: additional electronic buzzer.
    - Ref. 788/52: call repeater relay.
    - Ref. 752/5: secrecy device.
    - Ref. 5330/60: secrecy switch-off device for push button panel.

- Accessories
  - The following accessories are available:
    - Ref. 752/60: embedding box for indoor set.
    - Ref. 9854/52: additional electronic buzzer.
    - Ref. 788/52: call repeater relay.
    - Ref. 752/5: secrecy device.
    - Ref. 5330/60: secrecy switch-off device for push button panel.

- Accessories
  - The following accessories are available:
    - Ref. 752/60: embedding box for indoor set.
    - Ref. 9854/52: additional electronic buzzer.
    - Ref. 788/52: call repeater relay.
    - Ref. 752/5: secrecy device.
    - Ref. 5330/60: secrecy switch-off device for push button panel.

- Accessories
  - The following accessories are available:
    - Ref. 752/60: embedding box for indoor set.
    - Ref. 9854/52: additional electronic buzzer.
    - Ref. 788/52: call repeater relay.
    - Ref. 752/5: secrecy device.
    - Ref. 5330/60: secrecy switch-off device for push button panel.

- Accessories
  - The following accessories are available:
    - Ref. 752/60: embedding box for indoor set.
    - Ref. 9854/52: additional electronic buzzer.
    - Ref. 788/52: call repeater relay.
    - Ref. 752/5: secrecy device.
    - Ref. 5330/60: secrecy switch-off device for push button panel.

- Accessories
  - The following accessories are available:
    - Ref. 752/60: embedding box for indoor set.
    - Ref. 9854/52: additional electronic buzzer.
    - Ref. 788/52: call repeater relay.
    - Ref. 752/5: secrecy device.
    - Ref. 5330/60: secrecy switch-off device for push button panel.

- Accessories
  - The following accessories are available:
    - Ref. 752/60: embedding box for indoor set.
    - Ref. 9854/52: additional electronic buzzer.
    - Ref. 788/52: call repeater relay.
    - Ref. 752/5: secrecy device.
    - Ref. 5330/60: secrecy switch-off device for push button panel.

- Accessories
  - The following accessories are available:
    - Ref. 752/60: embedding box for indoor set.
    - Ref. 9854/52: additional electronic buzzer.
    - Ref. 788/52: call repeater relay.
    - Ref. 752/5: secrecy device.
    - Ref. 5330/60: secrecy switch-off device for push button panel.

- Accessories
  - The following accessories are available:
    - Ref. 752/60: embedding box for indoor set.
    - Ref. 9854/52: additional electronic buzzer.
    - Ref. 788/52: call repeater relay.
    - Ref. 752/5: secrecy device.
    - Ref. 5330/60: secrecy switch-off device for push button panel.

- Accessories
  - The following accessories are available:
    - Ref. 752/60: embedding box for indoor set.
    - Ref. 9854/52: additional electronic buzzer.
    - Ref. 788/52: call repeater relay.
    - Ref. 752/5: secrecy device.
    - Ref. 5330/60: secrecy switch-off device for push button panel.

- Accessories
  - The following accessories are available:
    - Ref. 752/60: embedding box for indoor set.
    - Ref. 9854/52: additional electronic buzzer.
    - Ref. 788/52: call repeater relay.