

Urmet 1132



Terminals

9	Lock
10	
6	Common
2	Speech Out (Mic)
CA	Call
1	Speech In (Speaker)

IMPORTANT NOTE :

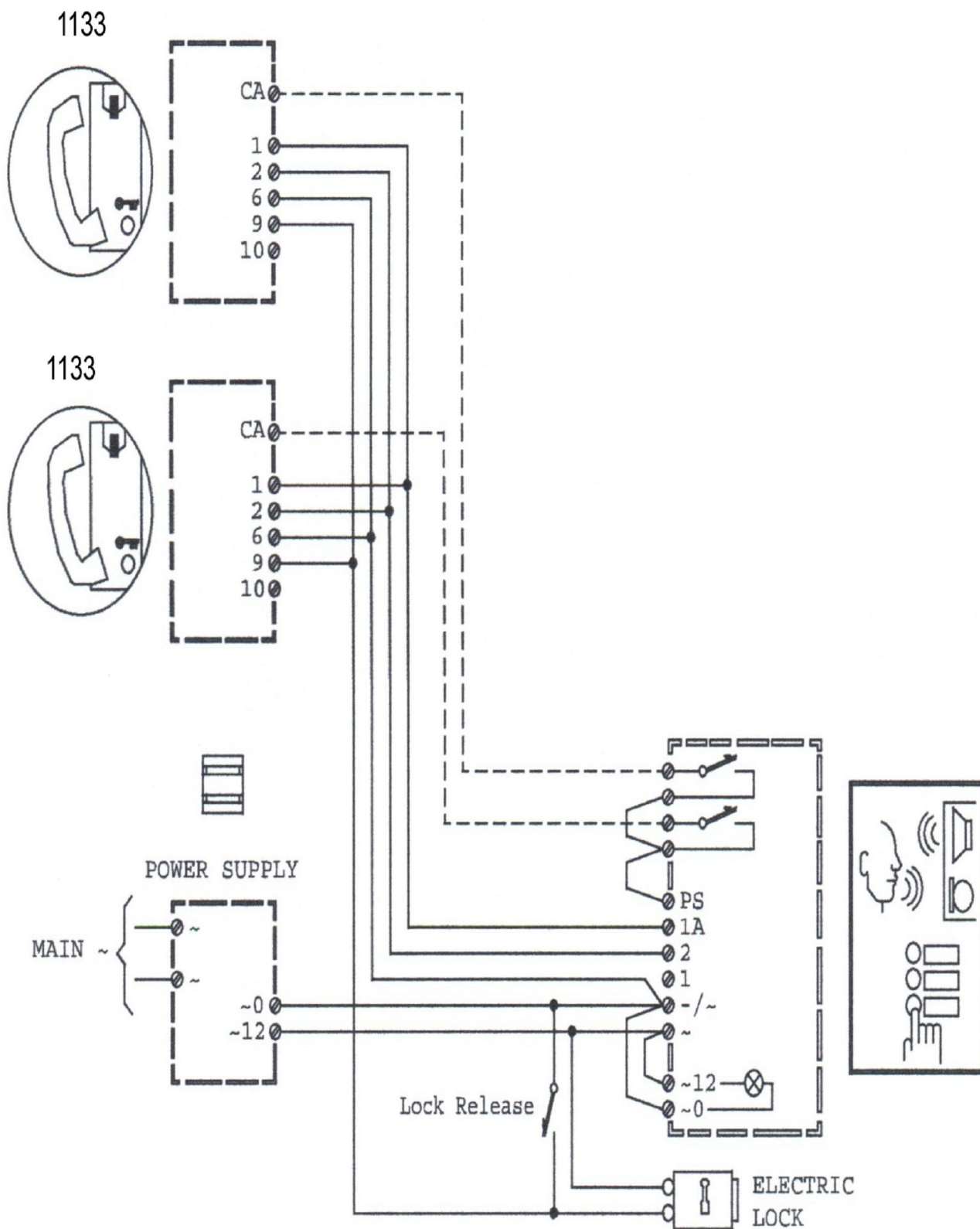
1) Before replacing the handset make note of the wires to each terminal on the existing unit (an easy way is to cut each core off leaving a piece of the insulation in place with colour visible) twist unused cores together (so you know they are not used, do not short them out).

2) Some older systems will have cable with one coloured core and a solid white core in this case mark each core with a marker or tape.

3) Some systems may have loop on wiring, you will have 2 cables into your handset (make sure any joins remain, as these may be serving other flats on the system).

WIRING DIAGRAM

Urmet 1132 / 1133 Basic 1 Way System

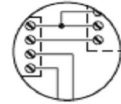


WIRING DIAGRAM

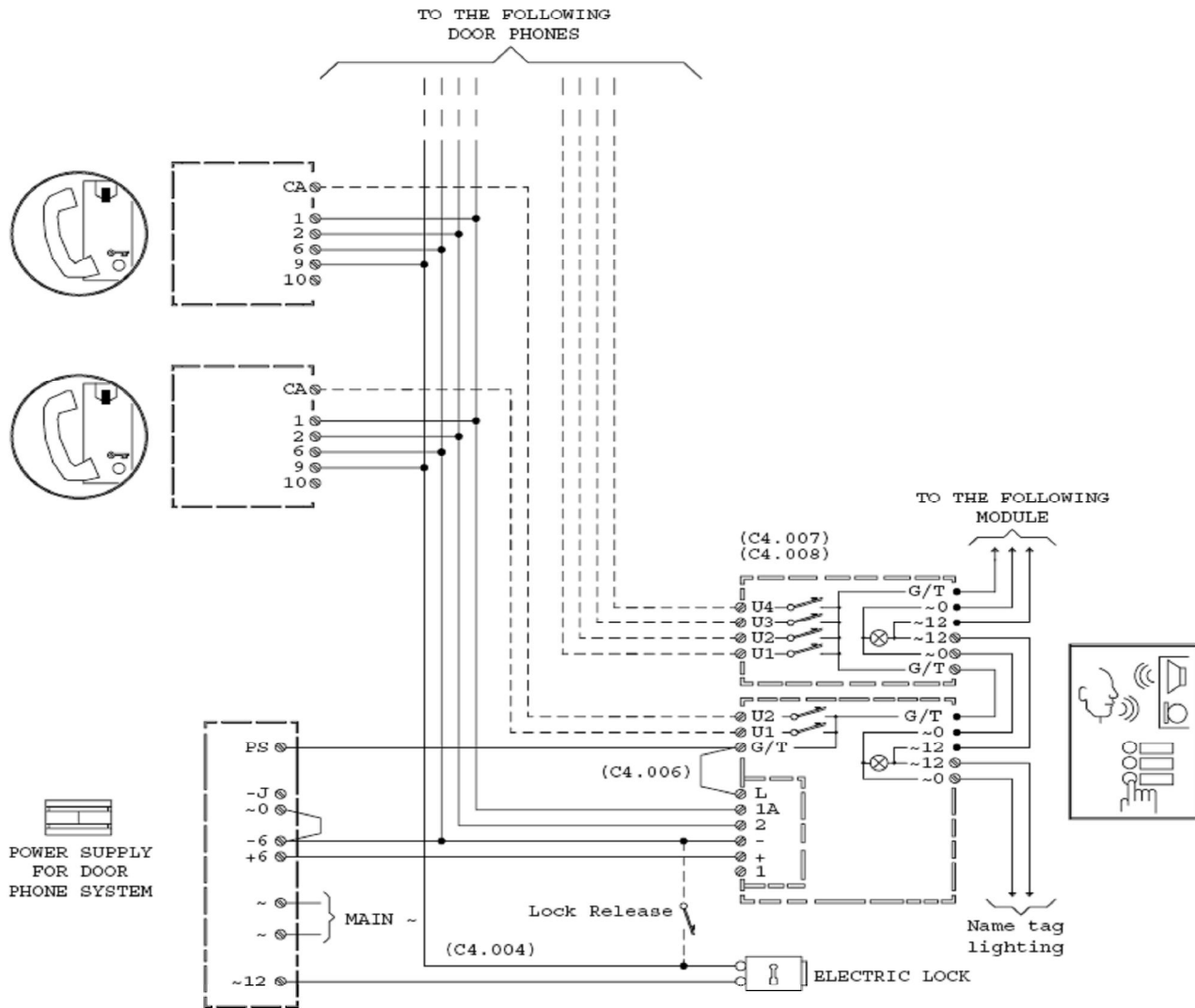
Urmet 1132 / 1133 Basic 1 Way System

urmet
DOMUS

BASIC DIAGRAMS FOR 4+N WIRE ELECTRONIC DOOR PHONE SYSTEMS
Connection of several door phones to 1 door unit



SC101-1133C



WIRING DIAGRAM

Urmet 1132 / 1133 2 Entrance System

