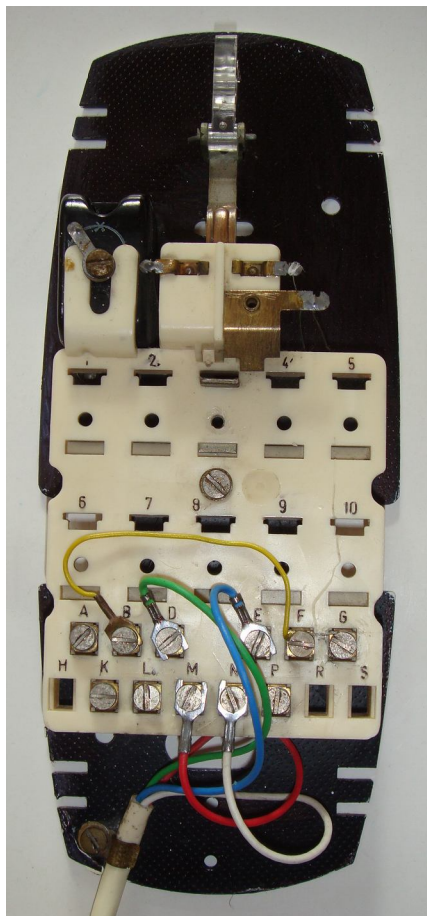


Entryphone Of London 5901 Legacy



5901 Legacy Handset



Old Style inner board (Buzzer adjuster)



Later Style inner board

Terminals

- L Speech In (Speaker)
- P Speech Out (Mic)
- B,F,G Common
- A Call
- 3 Lock (Button 1)



Best of British

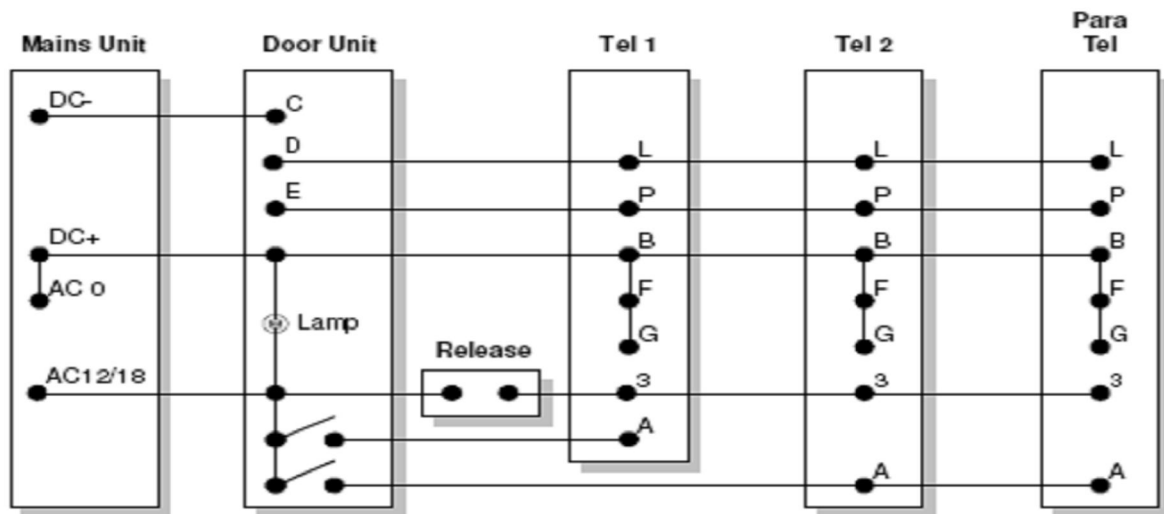
The legendary 5901 handset is exceedingly reliable, in fact in the past 25 years working in the industry I have only had to replace two of these (hence the lack of pictures), in both cases the only thing that had broken was the cradle hang up switch. So we salute the over engineered, last forever bomb proof build quality of these early handsets.

IMPORTANT NOTE :

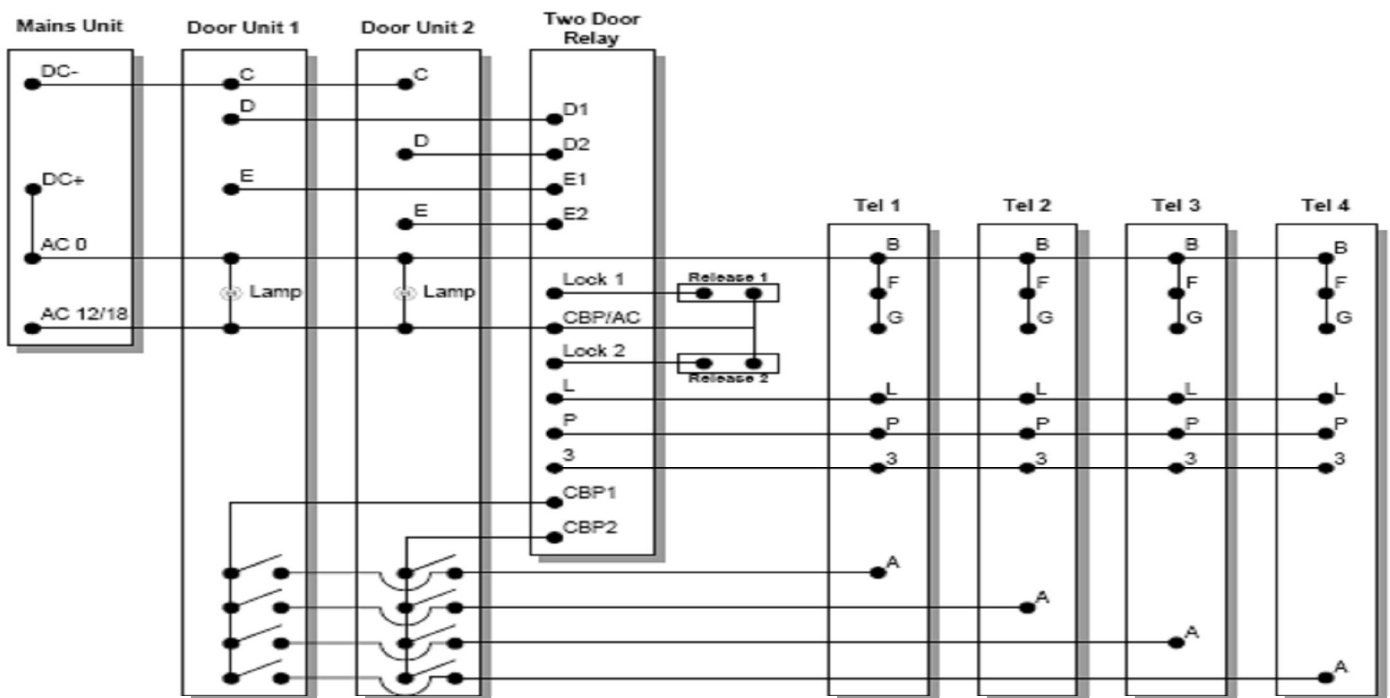
- 1) Before replacing the handset make note of the wires to each terminal on the existing unit (an easy way is to cut each core off leaving a piece of the insulation in place with colour visible) twist unused cores together (so you know they are not used, do not short them out).
- 2) Some older systems will have cable with one coloured core and a solid white core in this case mark each core with a marker or tape.
- 3) Some systems may have loop on wiring, you will have 2 cables into your handset (make sure any joins remain, as these may be serving other flats on the system).

Wiring Diagram

Basic 1 Way Audio



2 Entrance System with 99RU Relay



Microphones – on earlier models of the 5901 (pre 1989) a carbon granule microphone was used. These became distorted after prolonged use and were replaced with electret microphones around 1989. If you are replacing a 5901 handset you may find that the speech to the door does not work. The most likely cause of this is that another handset (containing a carbon granule microphone) is "off the hook" and is preventing the electret microphone from operating. You will therefore need to find this (or indeed other handsets) and fix the problem. One way of detecting handsets that are 'off the hook' is to call each handset from the door – you will get the sound of the buzzer coming out of the door speaker when the offending handset(s) is called.

NOTE : We recommend that you change handsets with Entryphone of London products, if changing over for another manufacturers handset you will find that outward speech level is reduced considerably.