

ENSIGN 3406



Terminals

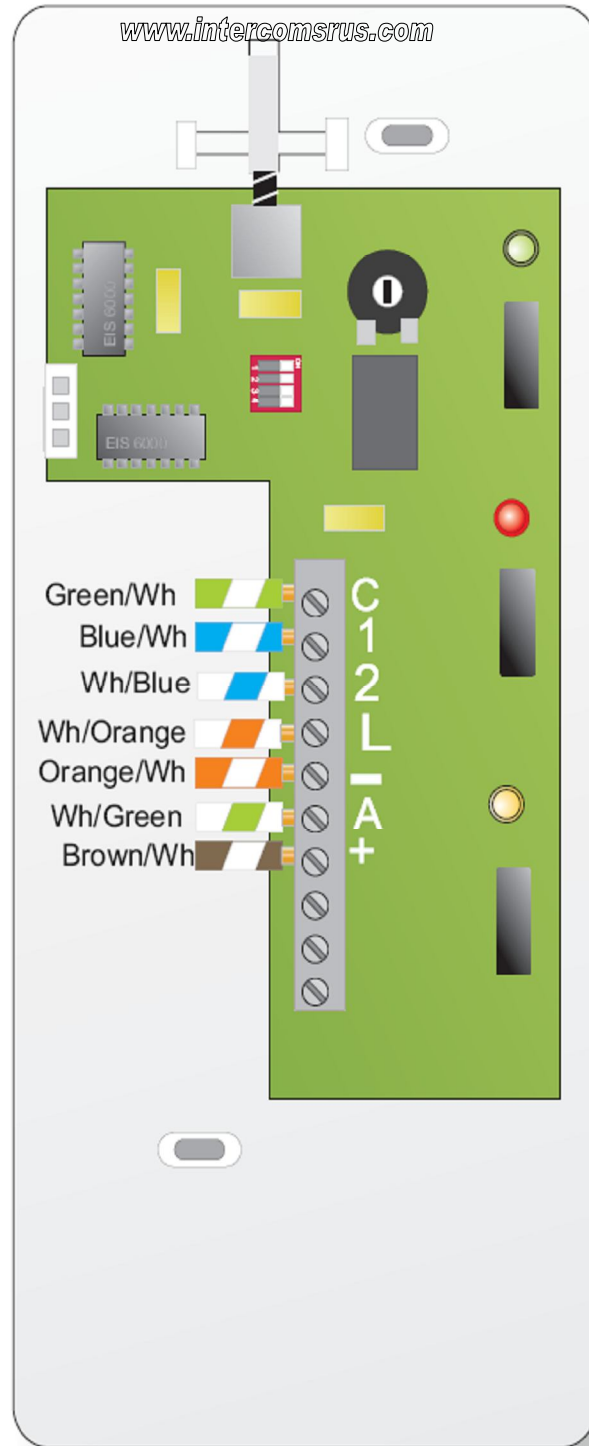
C	+
1	P
2	R
L	
-	
A	

IMPORTANT NOTE :

- 1) Before replacing the handset make note of the wires to each terminal on the existing unit (an easy way is to cut each core off leaving a piece of the insulation in place with colour visible) twist unused cores together (so you know they are not used, do not short them out).
- 2) Some older systems will have cable with one coloured core and a solid white core in this case mark each core with a marker or tape.
- 3) Some systems may have loop on wiring, you will have 2 cables into your handset (make sure any joins remain, as these may be serving other flats on the system).

EIS 3407

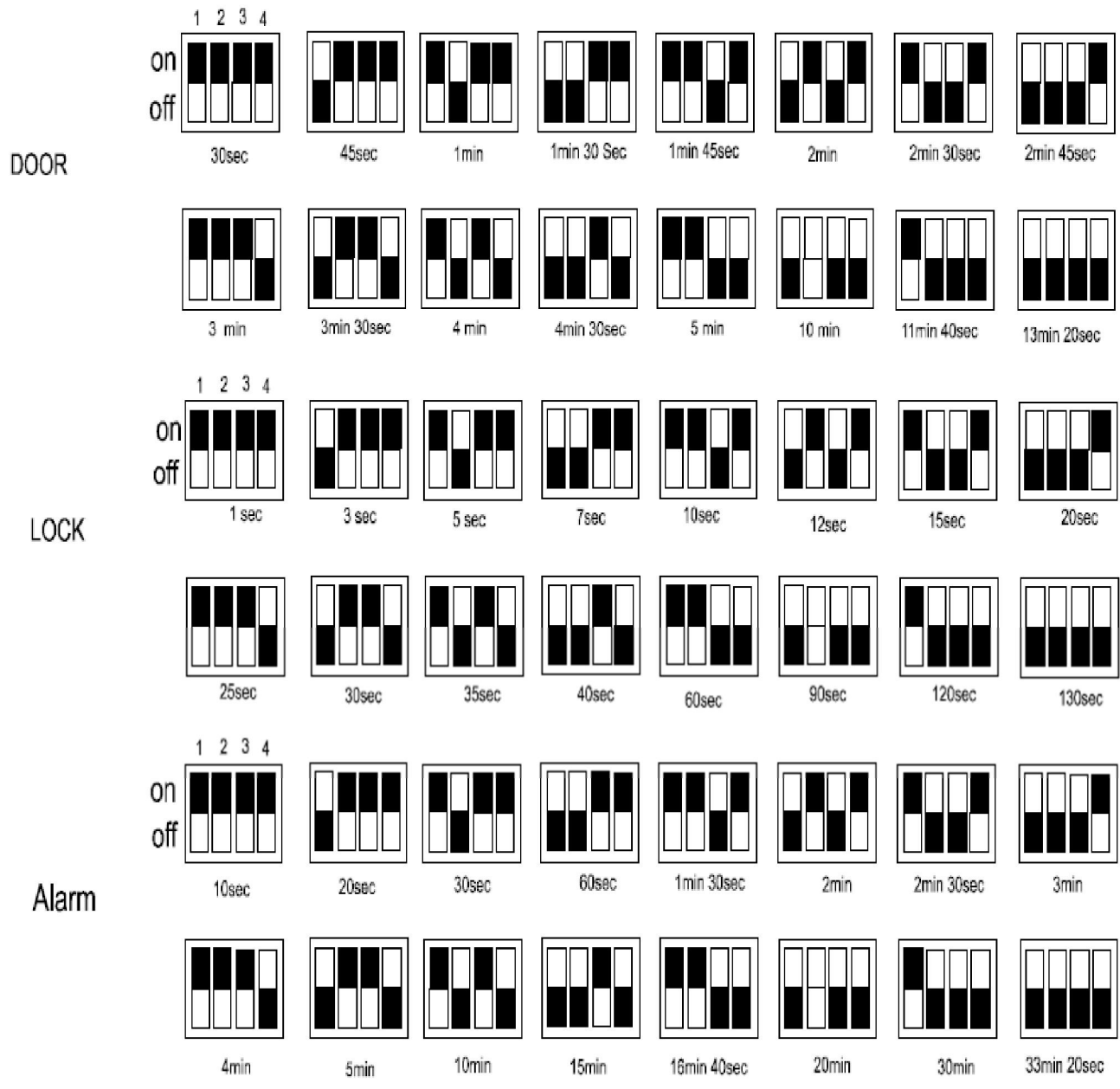
Handset Connections



Green/White	C
Blue/White	1
White/Blue	2
White/Orange	L
Orange/White	-
White/Green	A
Brown White	+

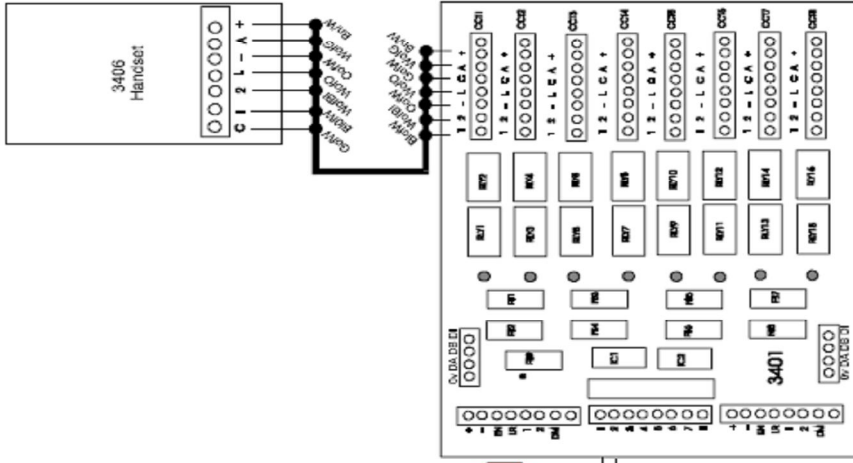
P and R not
used on Audio
Systems

Switch setting chart

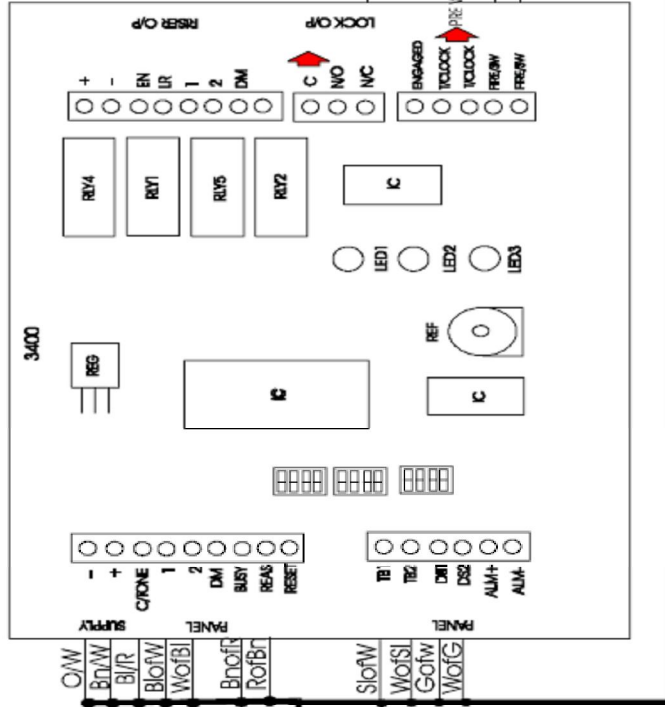


Switches shown in white.

3400 System wiring



*Note: Flat call wires are connected using remaining wires from panel button to relevant isolator call connections. Terminal 1 calls output 1 and so on.



Note: connect O/R (lock +) to supply + on 3400 PCB

TITLE 3400 WIRING Date 20/05/98

CLIENT

CONTACT REF 34MAN

