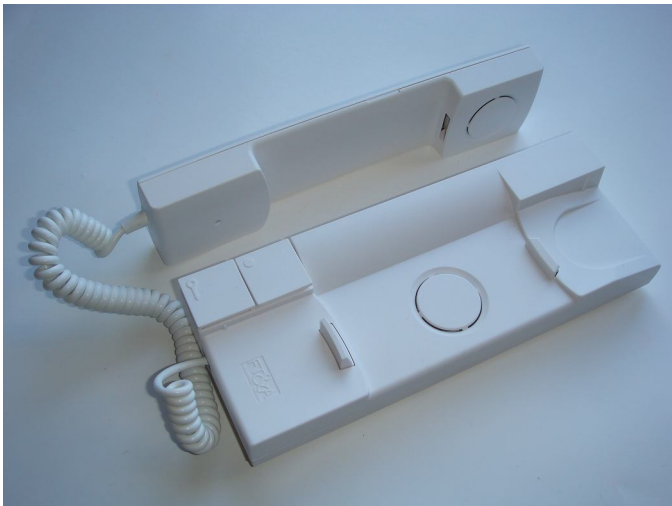


Bitron AV1407/002 (1+n) T-Line



Terminals

Au, Au	Service Button
2	External Call
1	Common Wire
P	Floor Call

IMPORTANT NOTE :

1) Before replacing the handset make note of the wires to each terminal on the existing unit (an easy way is to cut each core off leaving a piece of the insulation in place with colour visible) twist unused cores together (so you know they are not used, do not short them out).

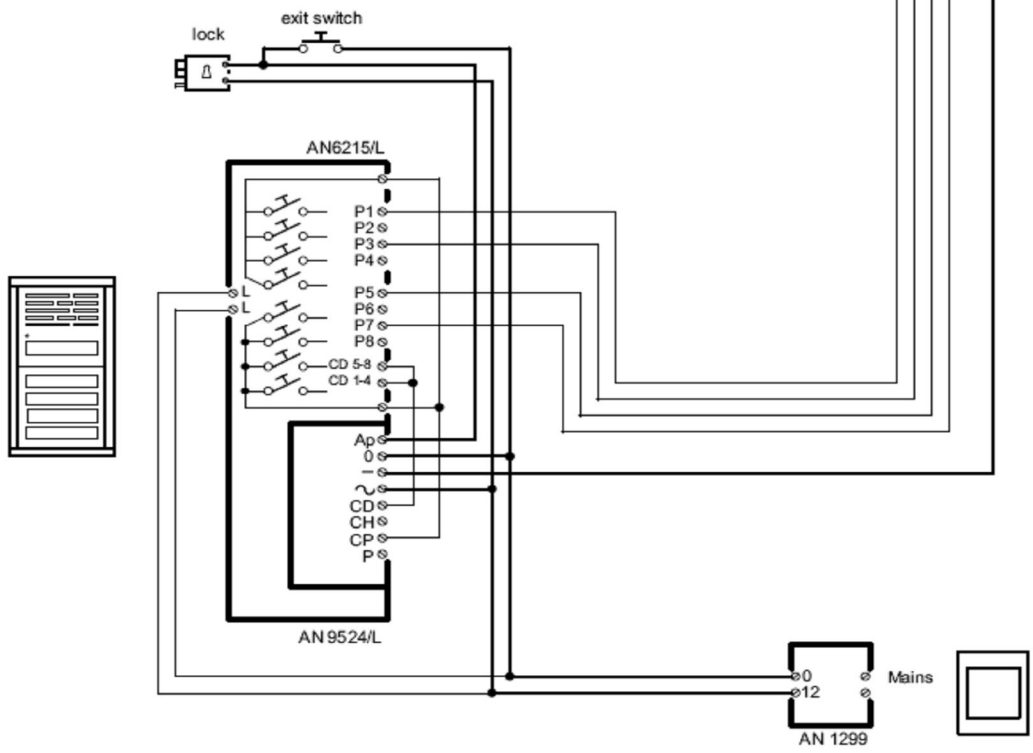
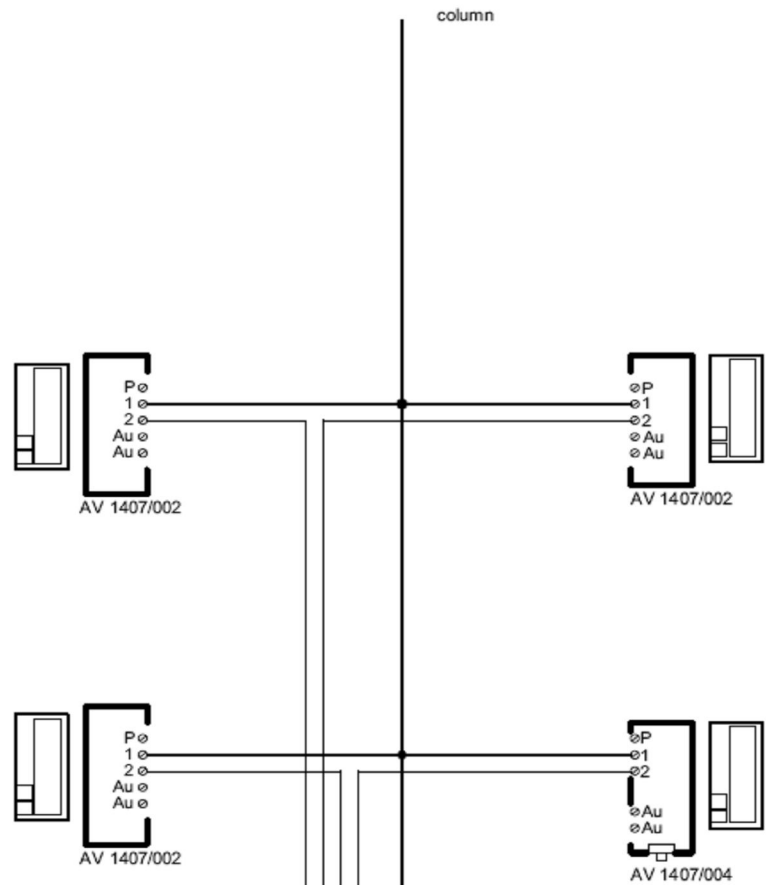
2) Some older systems will have cable with one coloured core and a solid white core in this case mark each core with a marker or tape.

3) Some systems may have loop on wiring, you will have 2 cables into your handset (make sure any joins remain, as these may be serving other flats on the system).

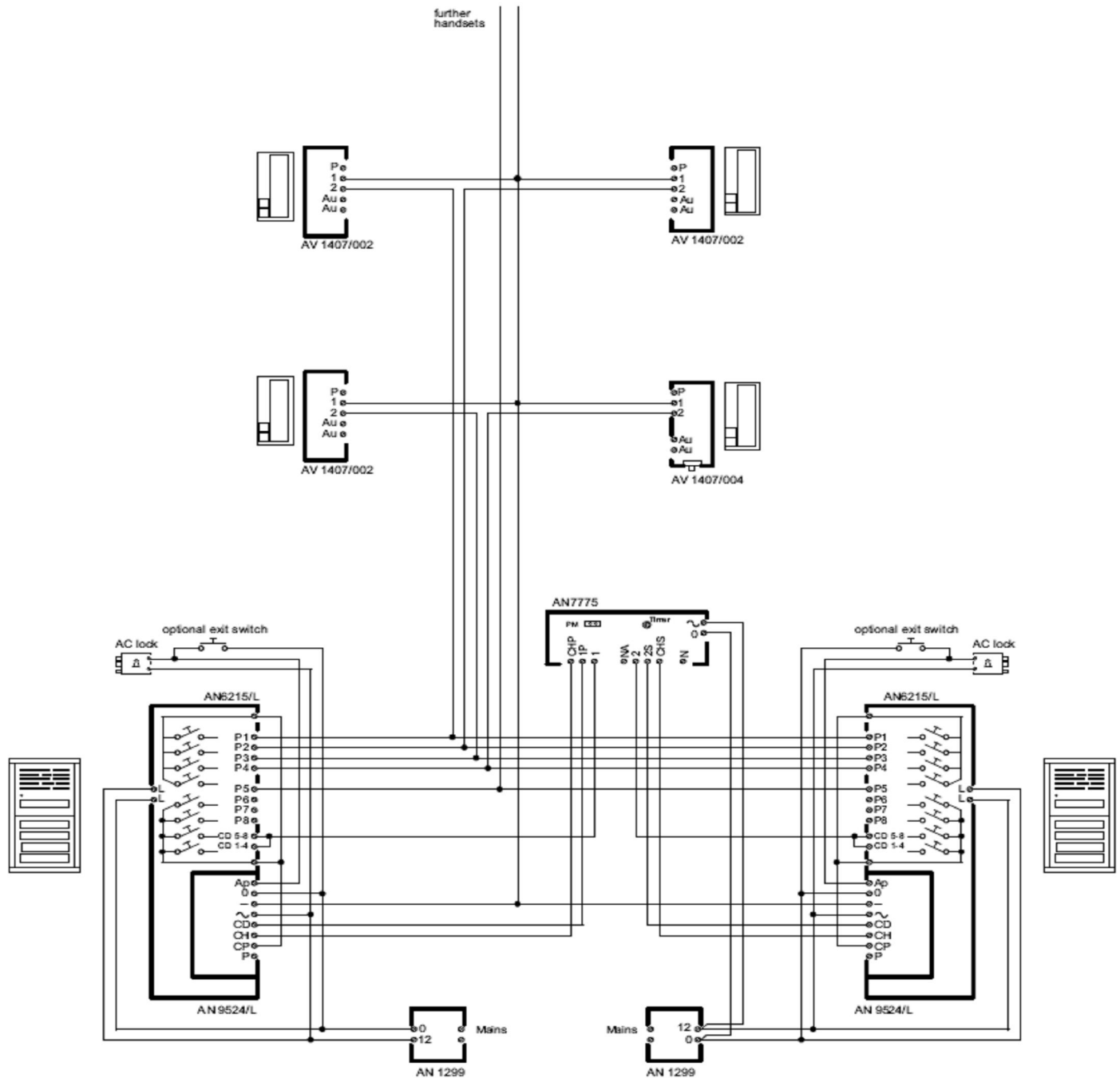
Bitron AV1407/002 Single Entrance

Title	Domular Classic 1 Door 1 + n system		
Drawing No	BVG00006/AUD single buttons (ref BV-C1N-2000)		
Date	16/01/2009		
Revision	01	Author	MD
bitronvideo STYLE AND INNOVATION www.bitronvideo.co.uk			

Notes -
<ul style="list-style-type: none"> A = 4 pair BT cable CW1308 Maximum distance from power supply to handset using CW1308 is 50M. Maximum distance from entry panel to power supply is 20M For distances above 50M please add 1.0mm2 cores. Maximum system distance is 200M For greater distances please contact technical support. Fit MOV suppression across lock connections to protect against back emf.
<ul style="list-style-type: none"> If using a DC release/maglock, a DC power supply and relay will be required



Bitron AV1407/002 2 Entrance System



Notes -

- Remove PM jumper from inside AN7775 and set trimmer to minimum (anticlockwise)
- Maximum distance from power supply to handset using CW 1308 is 50M.
- Maximum distance from entry panel to power supply is 20M
- For distances above 50M please add 1.0mm² cores.
- Maximum system distance is 200M
- For greater distances please contact technical support.
- Fit MOV suppression across lock connections to protect against back emf.
- If using a DC release/maglock, a DC power supply, relay and additional lock cabling will be required

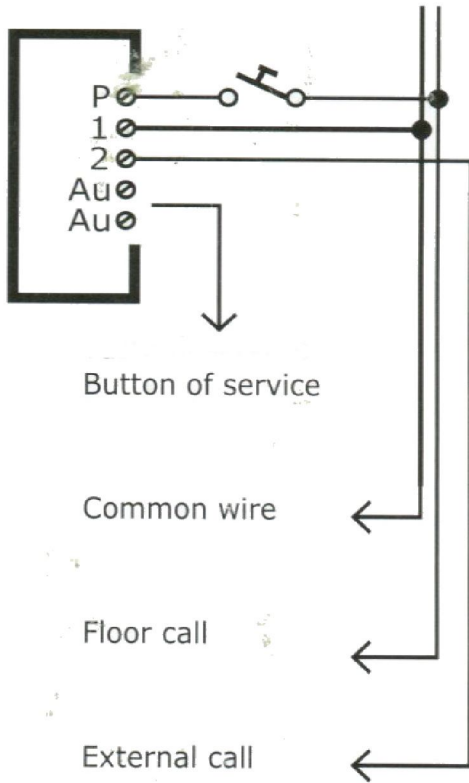
Title	Domular Classic 2 Door 1 + n system		
Drawing No	BYG00061/AUD (ref BV-C1N-2001)		
Date	06/10/2010		
Revision	01	Author	MD
bitronvideo STYLE AND INNOVATION www.bitronvideo.co.uk			

Bitron AV1407/002 Terminal Diagram

AV 1407/002
AV 1407/004

1 + n

Riser



AV 1407/001
AV 1407/003

4 + n

Riser

