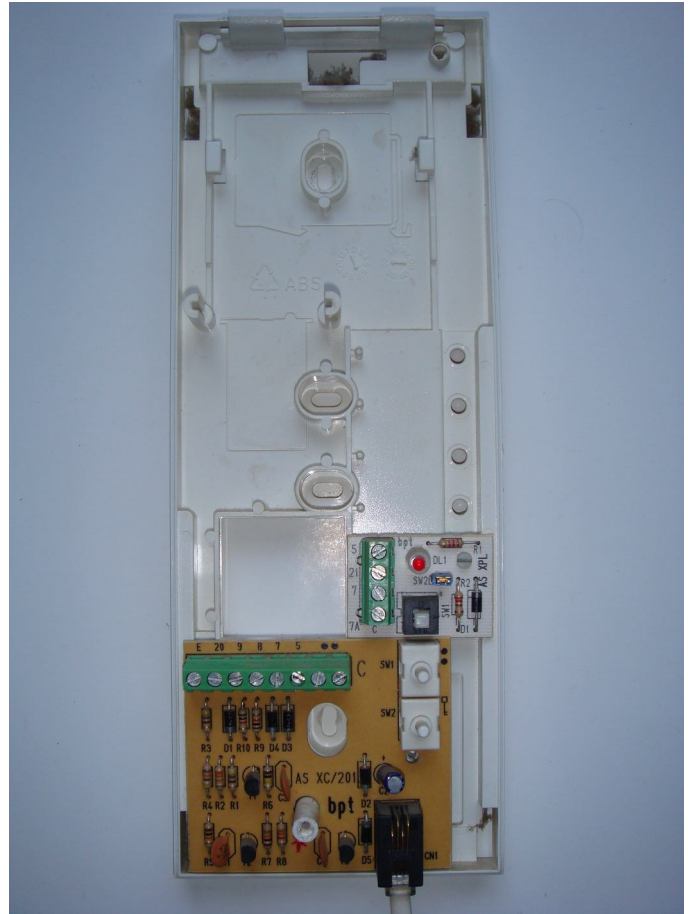


BPT AS XC/201



Terminals

- 5 Common
 - 9 Speech Out (Mic)
 - 8 Speech In (Speaker)
 - 7 Call
- . . Aux Button (Volt Free)

IMPORTANT NOTE :

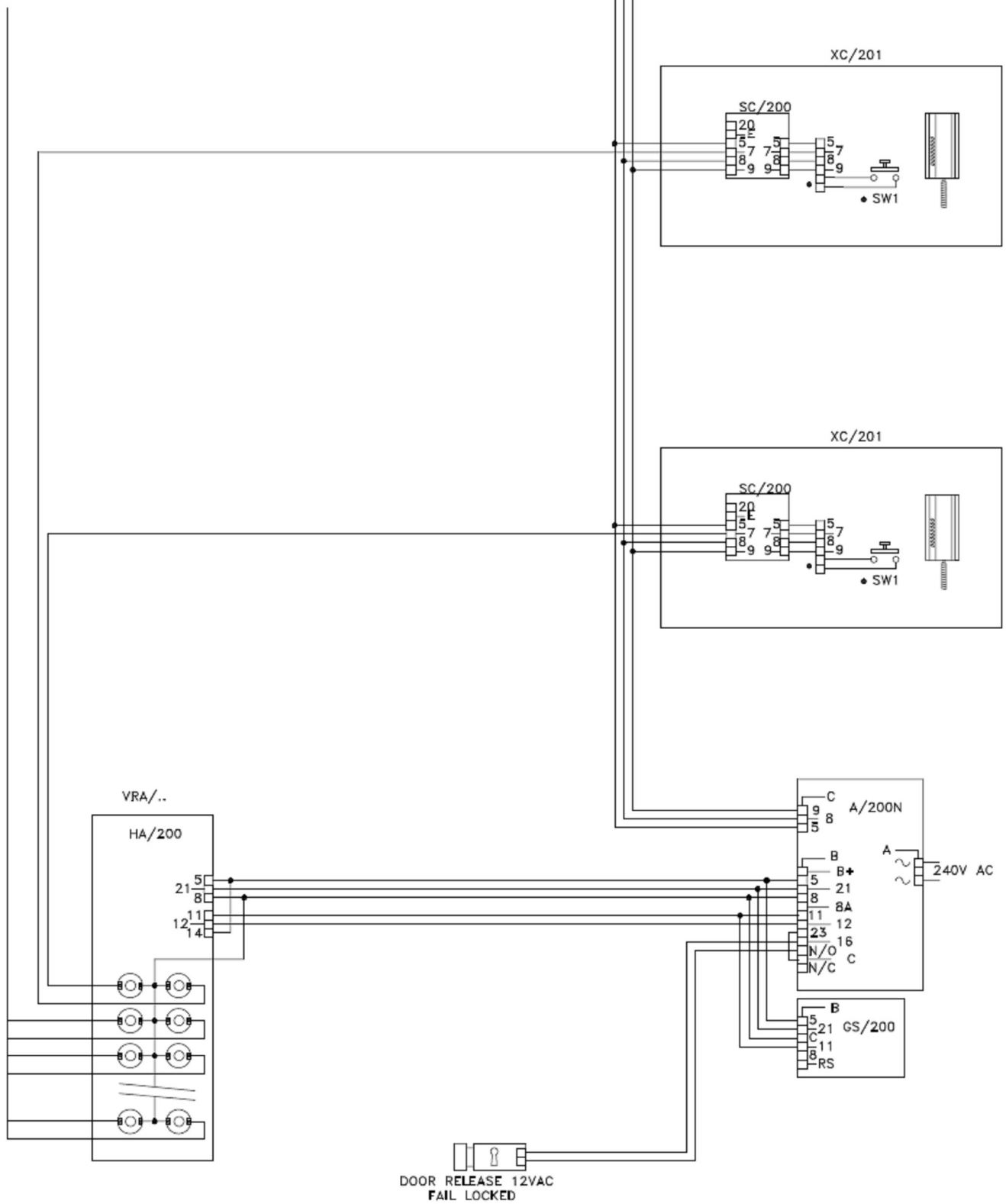
- 1) Before replacing the handset make note of the wires to each terminal on the existing unit (an easy way is to cut each core off leaving a piece of the insulation in place with colour visible) twist unused cores together (so you know they are not used, do not short them out).
- 2) Some older systems will have cable with one coloured core and a solid white core in this case mark each core with a marker or tape.
- 3) Some systems may have loop on wiring, you will have 2 cables into your handset (make sure any joins remain, as these may be serving other flats on the system).

Wiring Diagram

NOTE:
THIS DRAWING INDICATES AND ASSUMES THE USE OF
A MINIMUM OF 0.5MM CSA PER CORE.

CALL LINES TO FURTHER
HANDSETS

TO FURTHER HANDSETS



SE 7506.4TM

IMPIANTO PLURIFAMILIARE CON SEGRETO DI CONVERSAZIONE E POSTO ESTERNO TM.

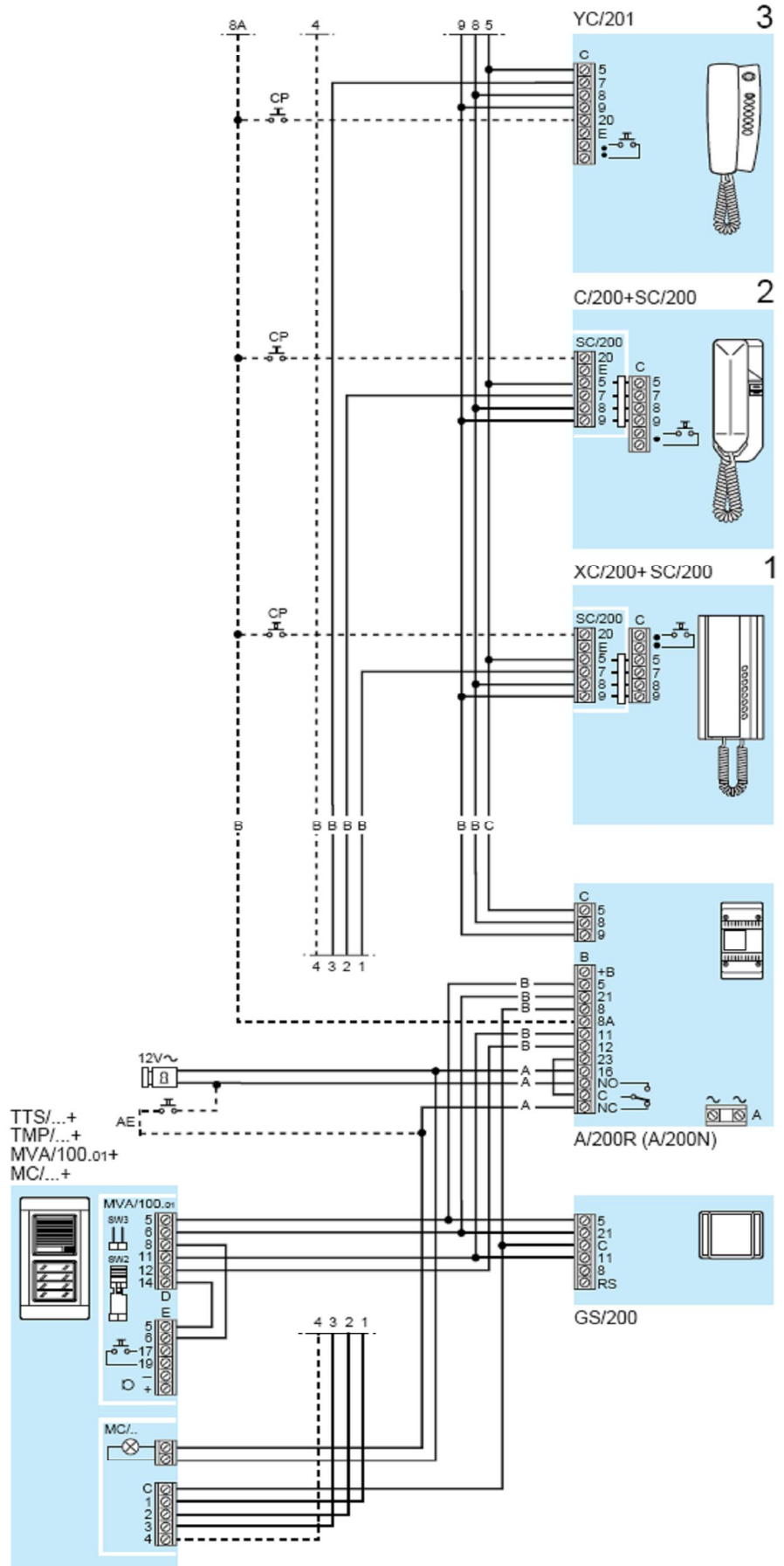
MULTI-FLAT INSTALLATION WITH SECRECY SPEECH AND TM ENTRY PANEL.

ANLAGE FÜR MEHRFAMILIEN-HÄUSER MIT MITHÖRSPERRE UND AUSSENSTATION TM.

INSTALLATION POUR IMMEUBLE AVEC SECRET DE CONVERSATION ET POSTE EXTERIEUR TM.

EQUIPO PLURIFAMILIAR CON SEGRETO DE CONVERSACION Y PLACA ESTERNA TM.

INSTALAÇÃO PLURIFAMILIAR COM SEGREDO DE CONVERSÇÃO E PLACA BOTONEIRA TM.



SE 7506.5

IMPIANTO PLURIFAMILIARE CON SEGRETO DI CONVERSAZIONE E POSTO ESTERNO TARGHA.

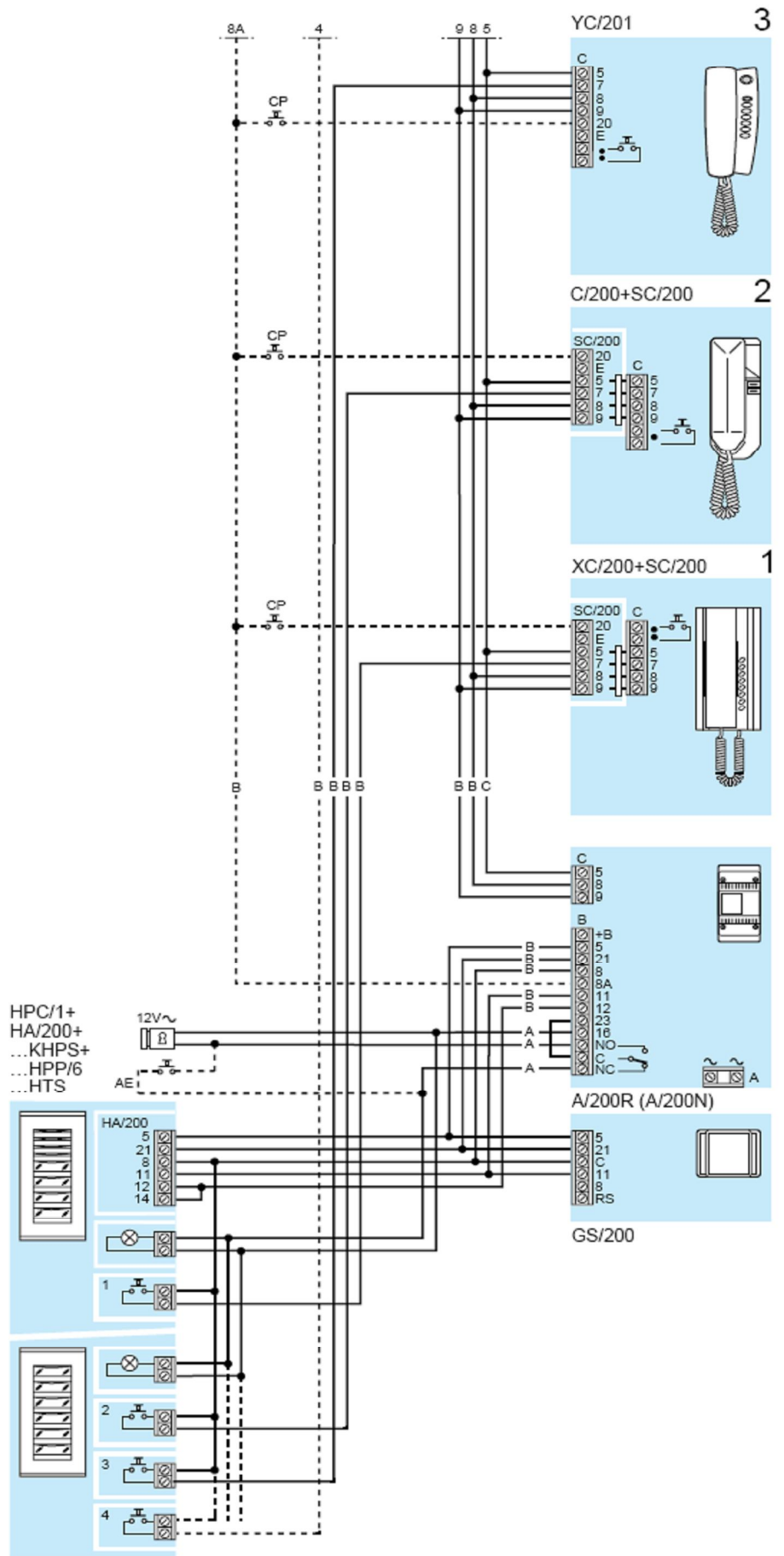
MULTI-FLAT INSTALLATION WITH SECRECY SPEECH AND TARGHA ENTRY PANEL.

ANLAGE FÜR MEHRFAMILIEN-HÄUSER MIT MITHÖRSPERRE UND AUSSENSTATION TARGHA.

INSTALLATION POUR IMMEUBLE AVEC SECRET DE CONVERSATION ET POSTE EXTERIEUR TARGHA.

EQUIPO PLURIFAMILIAR CON SEGRETO DE CONVERSACION Y PLACA ESTERNA TARGHA.

INSTALAÇÃO PLURIFAMILIAR COM SEGREDO DE CONVERSAÇÃO E PLACA BOTONEIRA TARGHA.



SE 7508.4

IMPIANTO MONO O PLURIFAMILIARE CON DUE INGRESSI, SEGRETO DI CONVERSAZIONE.

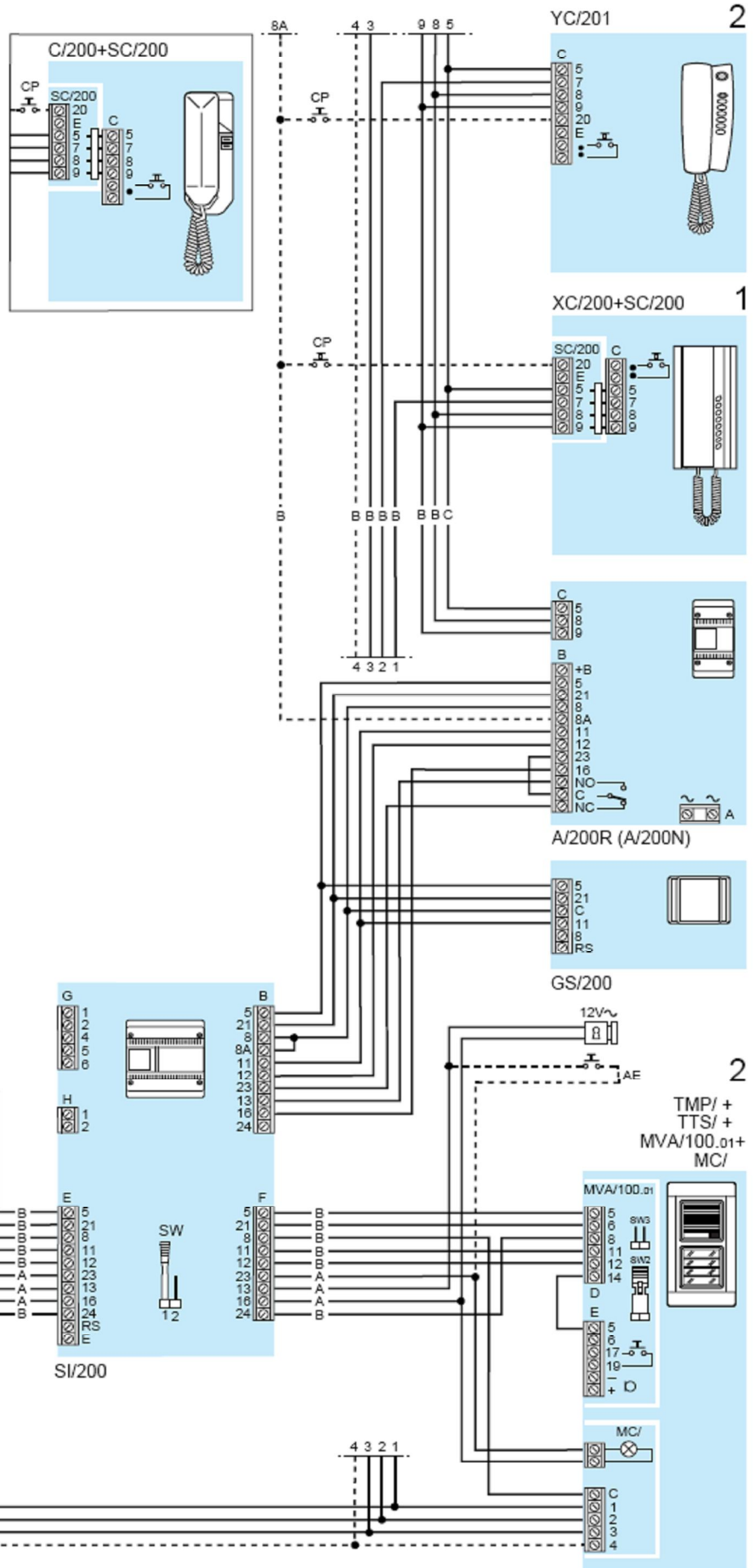
SINGLE OR MULTI-FLAT INSTALLATION WITH 2 ENTRANCES, SECRECY SPEECH.

ANLAGE FÜR EIN- ODER MEHR-FAMILIENHÄUSER MIT 2 EINGÄNGEN, MITHÖRSPERRE.

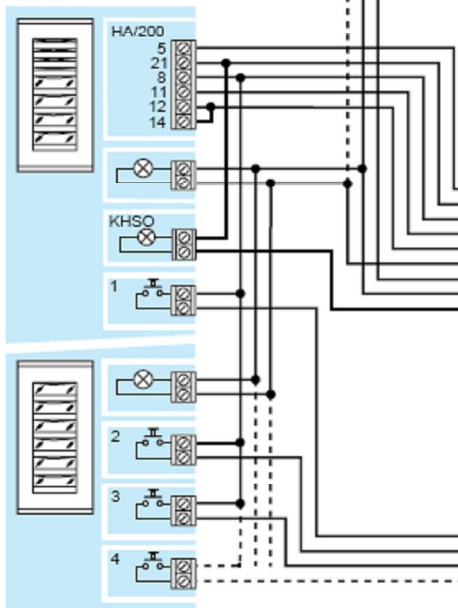
INSTALLATION POUR PAVILLON OU IMMEUBLE AVEC 2 ENTREES, SECRET DE CONVERSATION.

EQUIPO MONO O PLURIFAMILIAR CON 2 ENTRADAS, SEGRETO DE CONVERSACION.

INSTALAÇÃO MONO OU PLURIFAMILIAR COM 2 ENTRADAS, SEGREDO DE CONVERSACÃO.



1
HPC/1+
HA/200+
KHPS+
HPP/6+
HTS+
KHSO



2

1

2

TMP/+
TTS/+
MVA/100.01+
MC/

TROUBLESHOOTING GUIDE FOR AUDIO SYSTEM 200

ALL TESTS BELOW ARE ON A/200N PSU/CONTROLLER UNLESS OTHERWISE STATED. IF ANY OF THE VOLTAGE READINGS ARE NOT CORRECT, DISCONNECT WIRING FROM RELEVANT TERMINALS & REMEASURE. CHECK VOLTAGES ON TERMINALS RATHER THAN SCREWHEADS.

NOTHING WORKS AT ALL

1. CHECK FOR 240VAC INPUT.
2. CHECK FOR 11VDC ACROSS B5 & B21 (NB.TERMINAL 5 ALWAYS NEGATIVE).
3. CHECK FOR 12 TO 18VAC ACROSS B23 & B16.
4. IF CHECKS 2 or 3 DO NOT APPEAR, REMOVE ALL WIRES (EXCEPT 240VAC) SWITCH OFF FOR 1 MINUTE & RE-CHECK.

NO CALL TO PHONE

1. CHECK FOR 11VDC ACROSS B5 & B8.
2. CHECK FOR 11VDC ACROSS CORRESPONDING TERMINALS ON PANEL.
3. CHECK FOR 4VDC ACROSS B5 & CALL LINE (7 IN PHONE) DURING CALL.
4. IF CHECK 3 = 12VDC CHECK CONTINUITY OF CALL LINE. (5 & 7 = 22 – 45 ohms WITH PHONE ON-HOOK)

NO AUDIO TO PHONE

1. CHECK VOLUME LEVEL IN PANEL NOT AT MINIMUM (FULLY ANTI-CLOCKWISE IS MINIMUM ON PHONE POTENTIOMETER).
2. CHECK FOR 11VDC ACROSS 5 & 6 (OR 5 & 21) IN PANEL.
3. CHECK 5 & 14 LINKED IN PANEL OR (12 & 14 LINKED ON HA/200).
4. CHECK 5 & 11 ON PANEL = 22 - 45 ohms WITH PHONE OFF-HOOK ON C/200 OR E/200 ONLY (IF NOT CHECK CABLE).
5. IF MVA/100.01 PANEL WITHOUT MR/100, CHECK JUMPER SW2 IS ON.
6. REMOVE CABLES 11 & 12 IN PANEL & PLACE LINK BETWEEN THESE TERMINALS & TERMINALS 5 & 14. THIS SHOULD RESULT IN FEEDBACK AT PANEL.

NO AUDIO TO PANEL

1. CHECK VOLUME LEVEL IN PANEL NOT AT MINIMUM (FULLY ANTI-CLOCKWISE IS MINIMUM ON SPEAKER POTENTIOMETER).
2. CHECK FOR 11VDC ACROSS C5 & C9 WITH PHONE ON HOOK.
3. CHECK FOR 6VDC ACROSS C5 & C9 WITH PHONE OFF HOOK (IF NO CHANGE CHECK CONTINUITY OF LINE 9 TO PHONE).
4. REPEAT CHECKS 2, 3 & 6 FROM NO AUDIO TO PHONE.
5. CHECK CONTINUITY OF B12 A/200N TO 12 AT THE PANEL.

NO DOOR RELEASE

1. CHECK DOOR RELEASE TIMER NOT AT MINIMUM ON A/200N.
2. CHECK FOR 11VDC ACROSS C5 & C9 WITH PHONE ON HOOK.
3. MOMENTARILY SHORT C5 & C9. RELAY CONTACTS SHOULD ENERGISE FOR DURATION SET ON TIMER.
4. CHECK B23 & B16 = 12 TO 18VAC.
5. PRESS DOOR RELEASE (KEY) BUTTON ON PHONE & CHECK C5 & 9 =OVDC WHILST KEY BUTTON PRESSED IF NO CHANGE CHECK CONTINUITY OF LINE 9 TO PHONE.
6. CHECK CABLE CROSS SECTION/RATING OF RELEASE (12VAC @1A FAIL SECURE).

FEEDBACK

RECOMMEND LOWER MICROPHONE ON TARGA (HA/200) PANEL. ENSURE VOLUME POTENTIOMETERS IN PANEL ARE CORRECTLY BALANCED.

NORMAL SETTINGS ARE PHONE POTENTIOMETER TO JUST OFF MIN. SPEAKER POTENTIOMETER TO HALF. ENSURE BOTH SETTINGS ADJUST END STOP TO END STOP.

PRIOR TO CONTACTING TECHNICAL SUPPORT IT IS GOOD ENGINEERING PRACTICE TO CONNECT PHONE & PANEL ON SHORT LEADS DIRECTLY INTO A200N UNIT. THIS WILL INDICATE CABLE PROBLEMS/WRONG CONNECTIONS THAT CONSTITUTE THE MAJORITY OF CALLS TO OUR TECHNICAL SUPPORT DEPARTMENT.

**I ISTRUZIONI PER
L'INSTALLAZIONE**

**UNITA' GESTIONE SEGRETO
GS/200**

L'apparecchio gestisce il segreto audio negli impianti citofonici sistema 200.

Va inserito in prossimità dell'alimentatore.

Ad ogni chiamata l'apparecchio abilita alla conversazione un solo citofono o un gruppo di citofoni (max. 7) collegati alla stessa chiamata.

Funzione dei morsetti (fig. 1)

- 5 massa
- 21 ingresso +12Vcc
- C ingresso comune chiamata
- 11 audio ai derivati interni
- 8 audio al monitor (*)
- RS reset (*)

(*) Connessioni riservate per la realizzazione di impianti speciali (impianti misti citofonia e videocitofonia sistema 200).

Caratteristiche tecniche

- Alimentazione: 11Vcc.
- Assorbimento: 30mA max.
- Temperatura di funzionamento: da -15 °C a +35 °C.
- Dimensioni: 60x44x16 mm (fig. 2).

L'apparecchio può essere installato su guida DIN (EN 50022) (fig. 3).

**UNITA' SEGRETO DI
CONVERSAZIONE SC/200**

L'unità permette di ottenere il segreto audio in abbinamento all'unità di gestione GS/200 presente nell'impianto.

Una chiamata dal posto esterno abilita solo il citofono, o un gruppo di citofoni (max. 7), a cui è diretta la chiamata stessa. Il collegamento viene interrotto quando viene effettuata una chiamata ad un altro citofono.

Funzione dei morsetti (fig. 4)

- 5 massa
- 7 ingresso chiamata
- 8 audio al derivato
- 9 audio dal derivato
- 20 ingresso chiamata dal pianerottolo
- E abilitazione audio (*)

(*) Connessione riservata per la realizzazione di impianti speciali (impianti misti citofonia e videocitofonia sistema 200).

Istruzioni per l'installazione

L'apparecchio va inserito nella morsettiera del citofono (fig. 5, 6).

SMALTIMENTO

Assicurarsi che il materiale d'imballaggio non venga disperso nell'ambiente, ma smaltito seguendo le norme vigenti nel paese di utilizzo del prodotto.

Alla fine del ciclo di vita dell'apparecchio evitare che lo stesso venga disperso nell'ambiente.

Lo smaltimento dell'apparecchio

deve essere effettuato rispettando le norme vigenti e privilegiando il riciclaggio delle sue parti costituenti.

Sui componenti, per cui è previsto lo smaltimento con riciclaggio, sono riportati il simbolo e la sigla del materiale.

**GB INSTALLATION
INSTRUCTIONS**

**GS/200 SECRECY
MANAGEMENT**

This unit controls conversation privacy in audio entry systems 200.

The unit is installed near the power supplier.

Every time a call is made, the device enables conversation with one handset only or with a group of max. 7 handsets activated by the same call.

Function of each terminal, figure 1

- 5 ground
- 21 +12V DC input
- C call common input
- 11 audio to receivers
- 8 audio to monitor (*)
- RS reset (*)

(*) Connections required for special installations (combined audio entry and video entry systems 200).

Technical features

- Supply voltage: 11V DC.
- Current demand: 30mA max.
- Working temperature range: from -15 °C to +35 °C.
- Dimensions: 60x44x16 mm, figure 2.

The unit can be mounted on DIN rail (EN 50022), figure 3.

SC/200 SECRECY OF SPEECH

This unit enables conversation privacy and operates in conjunction with the GS/200 secrecy management installed in the system.

A call from the entry panel only enables the handset, or a group of max. 7 handsets, that receives the call directly

Connection is cut off when a call is made to another handset.

Function of each terminal, figure 4

- 5 ground
- 7 call input
- 8 audio to receiver
- 9 audio from receiver
- 20 landing call input
- E audio enabling (*)

(*) Connections required for special installations (combined audio entry and video entry systems 200).

Installation instructions

The unit is installed in the handset terminal block, figure 5, 6.

