

BPT AS C/200 (Later Model)



Terminals (AS C/200 is no longer available, YC200 conversion is shown)

AS C/200		YC200
5	Common	5
7	Call	7
8	Speech In (Speaker)	8
9	Speech Out (Mic)	9

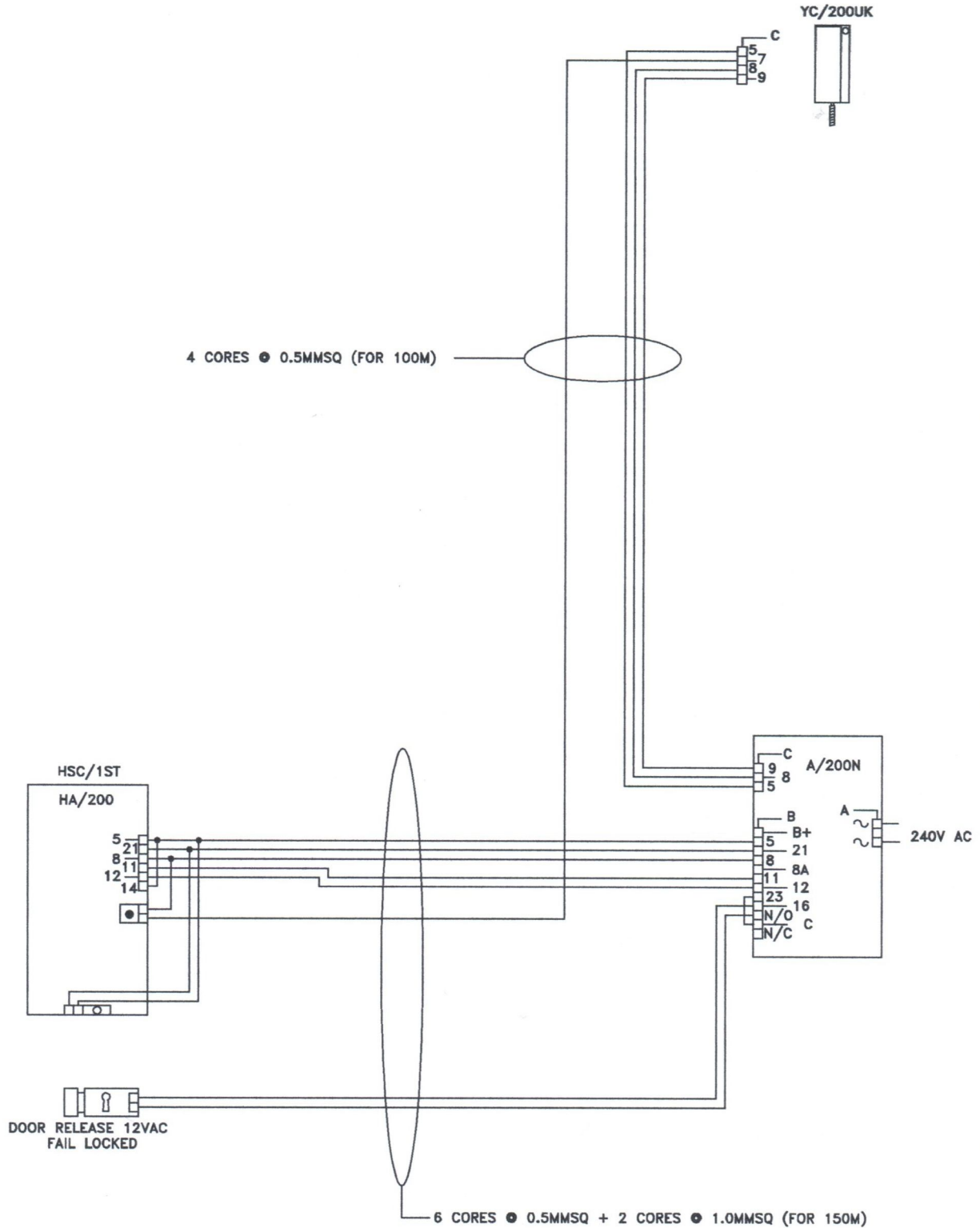
IMPORTANT NOTE :

- 1) Before replacing the handset make note of the wires to each terminal on the existing unit (an easy way is to cut each core off leaving a piece of the insulation in place with colour visible) twist unused cores together (so you know they are not used, do not short them out).
- 2) Some older systems will have cable with one coloured core and a solid white core in this case mark each core with a marker or tape.
- 3) Some systems may have loop on wiring, you will have 2 cables into your handset (make sure any joins remain, as these may be serving other flats on the system).

WIRING DIAGRAM

BPT 1 Way Audio

NOTE:
THIS DRAWING INDICATES AND ASSUMES THE USE OF
A MINIMUM OF 0.5MM CSA PER CORE.



WIRING DIAGRAM

BPT Audio with 2 Entrance Panels and Keypads

CALL LINES TO FURTHER YC/200'S.

COMMON LINES TO FURTHER YC/200'S.

NOTE:
THIS DRAWING INDICATES AND ASSUMES THE USE OF
A MINIMUM OF 0.5MM CSA PER CORE.

