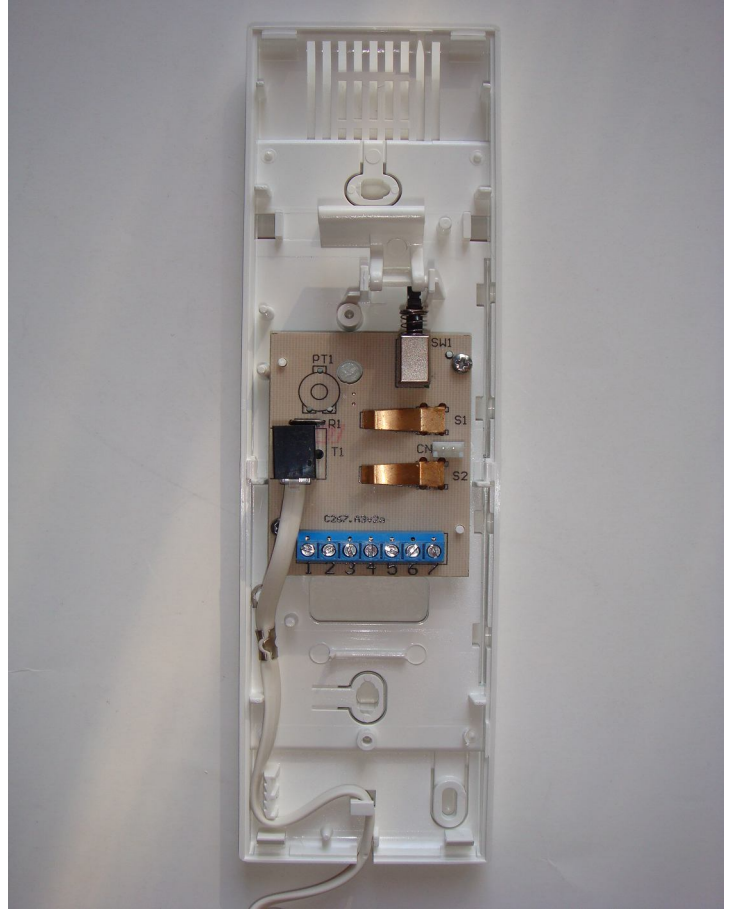


Acet 22510 (5 Wire Electronic Call)



Terminals

- 1 & 2 Volt Free Button
- 3 Speech In (Speaker)
- 4 Speech Out (Mic)
- 5 Call
- 6 Common
- 7 Lock

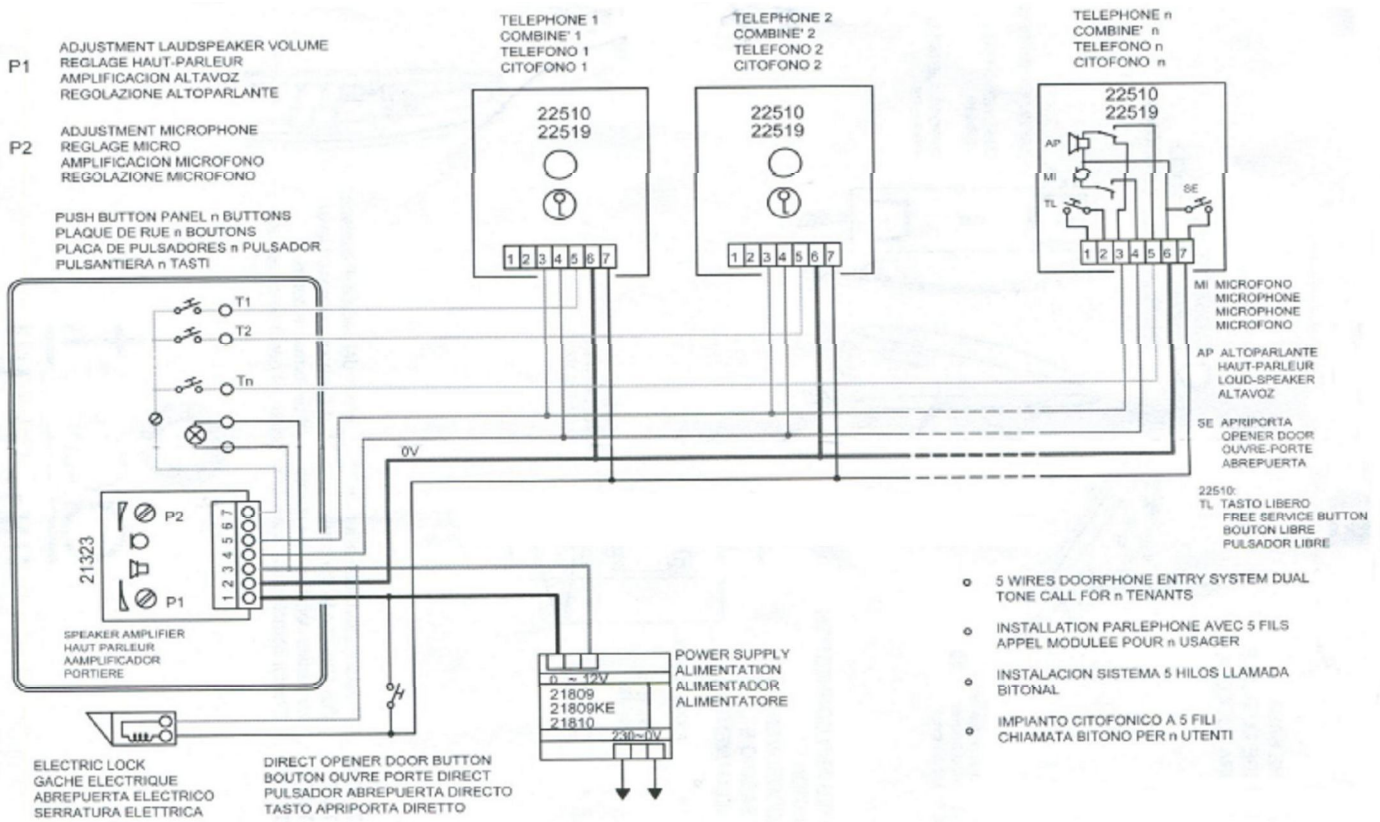
Note : The lack of AC buzzer, this is an electronic call 5 wire handset, operates with the 21323 Amp

IMPORTANT NOTE :

- 1) Before replacing the handset make note of the wires to each terminal on the existing unit (an easy way is to cut each core off leaving a piece of the insulation in place with colour visible) twist unused cores together (so you know they are not used, do not short them out).
- 2) Some older systems will have cable with one coloured core and a solid white core in this case mark each core with a marker or tape.
- 3) Some systems may have loop on wiring, you will have 2 cables into your handset (make sure any joins remain, as these may be serving other flats on the system).

WIRING DIAGRAM

Acet 22510 (5 Wire Electronic Call)



- 5 WIRES DOORPHONE ENTRY SYSTEM DUAL TONE CALL FOR n TENANTS
- INSTALLATION PARLEPHONE AVEC 5 FILS APPEL MODULEE POUR n USAGER
- INSTALACION SISTEMA 5 HILOS LLAMADA BITONAL
- IMPIANTO CITOFONICO A 5 FILI CHIAMATA BITONO PER n UTENTI