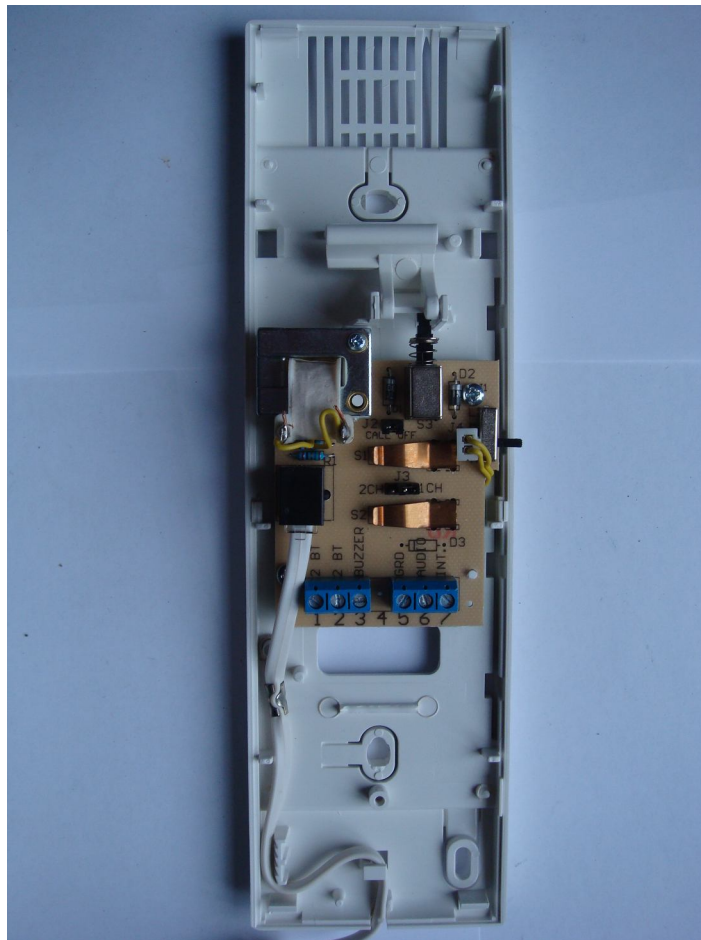


Acet 22220 (2 Wire)



Terminals

- 1 & 2 Volt Free Button
- 3 Local Buzzer (if local bell is fitted to flat, see diagram below)
- 5 Common
- 6 Input From Panel
- 7

Note : There are 2 versions of this handset, they look exactly the same externally.

2 wire (22220) Has No terminal 4

5 wire (22500) Has got a 4 terminal

IMPORTANT NOTE :

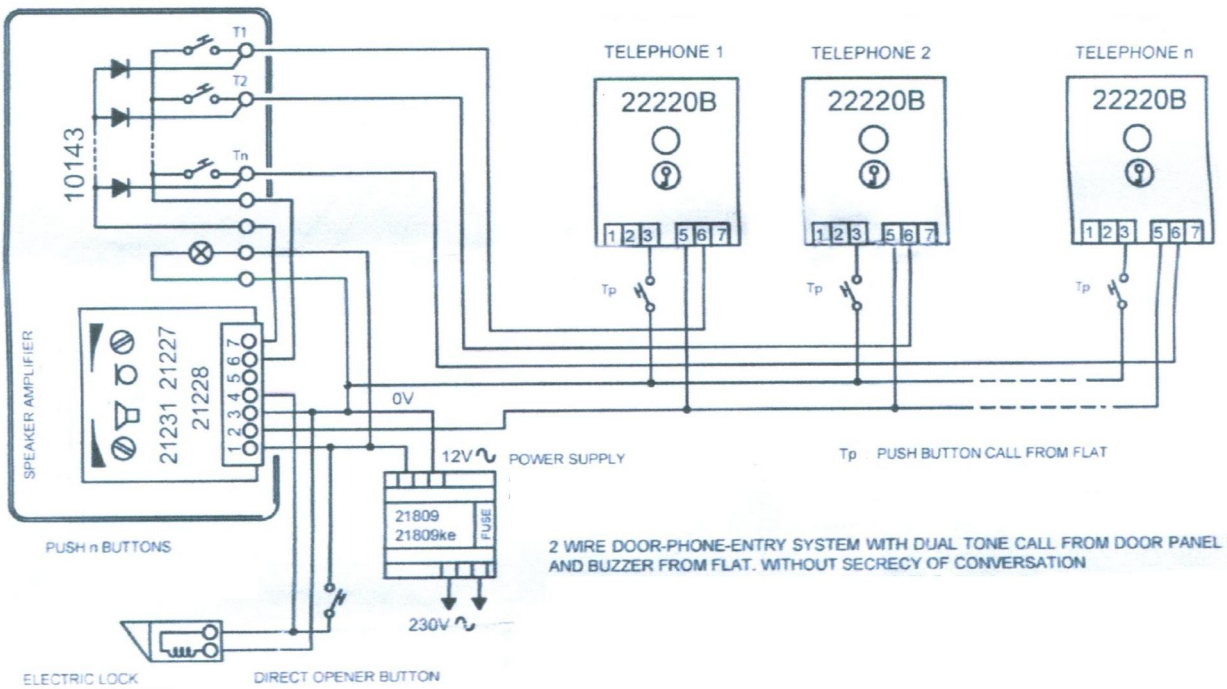
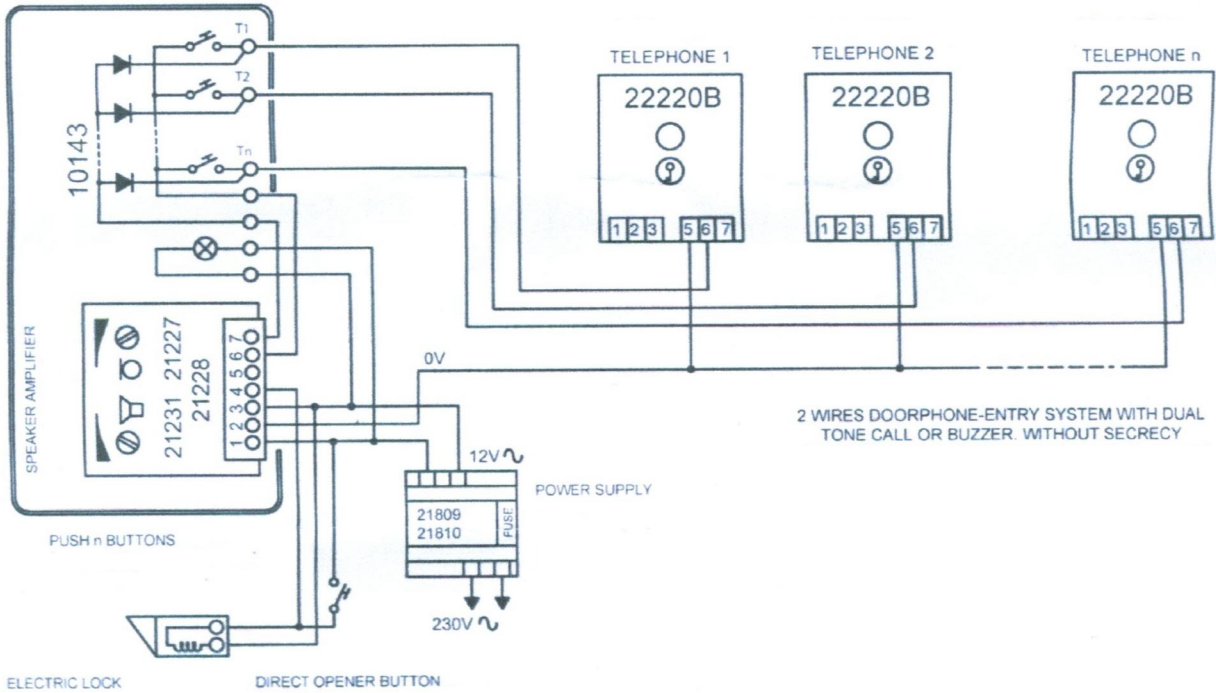
1) Before replacing the handset make note of the wires to each terminal on the existing unit (an easy way is to cut each core off leaving a piece of the insulation in place with colour visible) twist unused cores together (so you know they are not used, do not short them out).

2) Some older systems will have cable with one coloured core and a solid white core in this case mark each core with a marker or tape.

3) Some systems may have loop on wiring, you will have 2 cables into your handset (make sure any joins remain, as these may be serving other flats on the system).

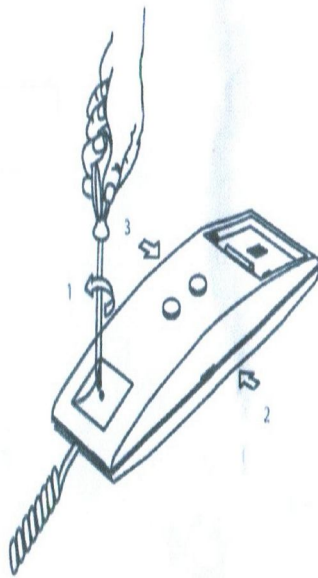
WIRING DIAGRAM

Acet 22220 (2 Wire)

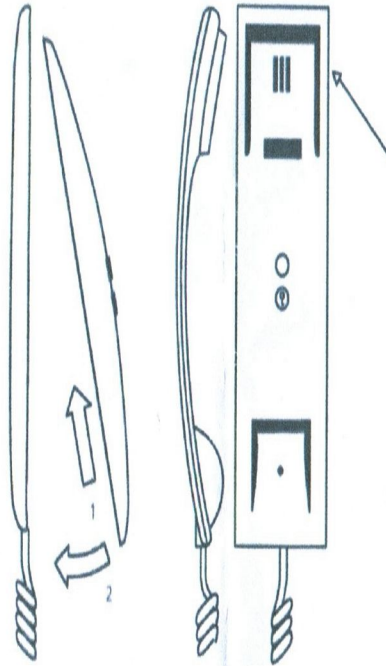


Instructions

A OPEN THE BASE

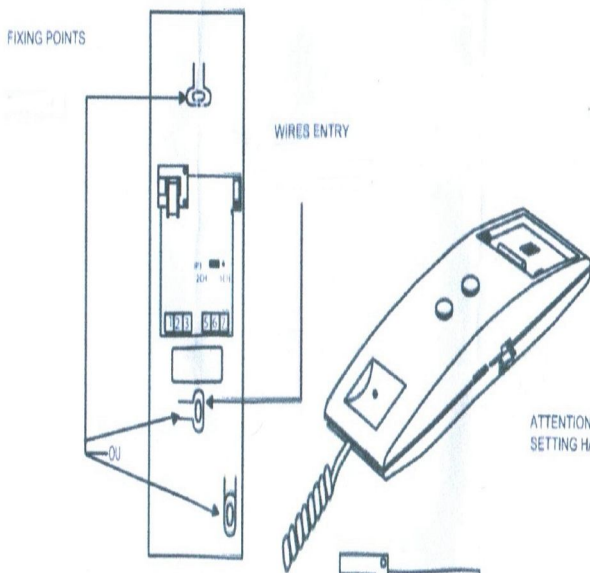


C CLOSING THE BASE



LAY HERE AND PRESS FOR CLOSING
 APPUYEZ ICI POUR FERMER
 APPOGGIARE QUI E PREMERE
 PER CHIUDERE

B FIXING AND CONNECTION



JUMPS SETTING

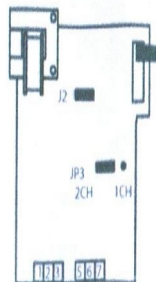


ATTENTION: WITH BUZZER TONE SPEAKER AMPLIFIER, THE VOLUME SETTING HAS TO BE PLACE ON MAX VOLUME



TERMINAL BOARD

- 1 - 2 : FREE SERVICE BUTTON
- 3 : CALL AT THE FLAT
- 5 : GROUND
- 6 : CALL AUDIO AND DOOR OPENER



JP3 2CH ● 1CH INSTALLATION WITH BUZZER CALL SPEAKER

JP3 2CH ■ 1CH INSTALLATION WITH DUAL TONE CALL AND BUZZER AT THE FLAT

WIRING DIAGRAM

Acet 22200 (2 Wire)

