

Acet 22220 (2 Wire) **NEW 2011 VERSION**

(AC BUZZER HAS BEEN REPLACED WITH ELECTRONIC CALL TONES)



Terminals

- 1 & 2 Volt Free Button
- 3 Local Buzzer (For floor call, jumper needs to be moved to 2ch)
- 5 Common
- 6 Input From Panel
- 7

Note : There are 2 versions of this handset, they look exactly the same externally.

NEW VERSION (2011) Mechanical buzzer is replaced by electronic call, wiring exactly the same as before.

IMPORTANT NOTE :

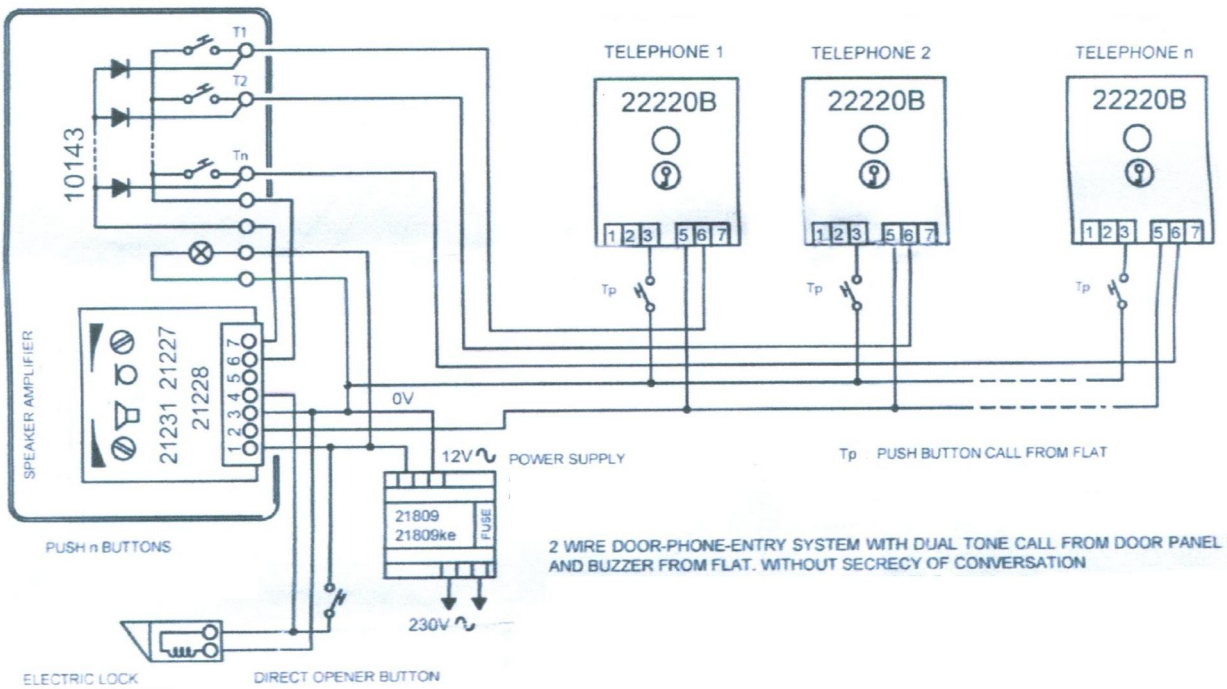
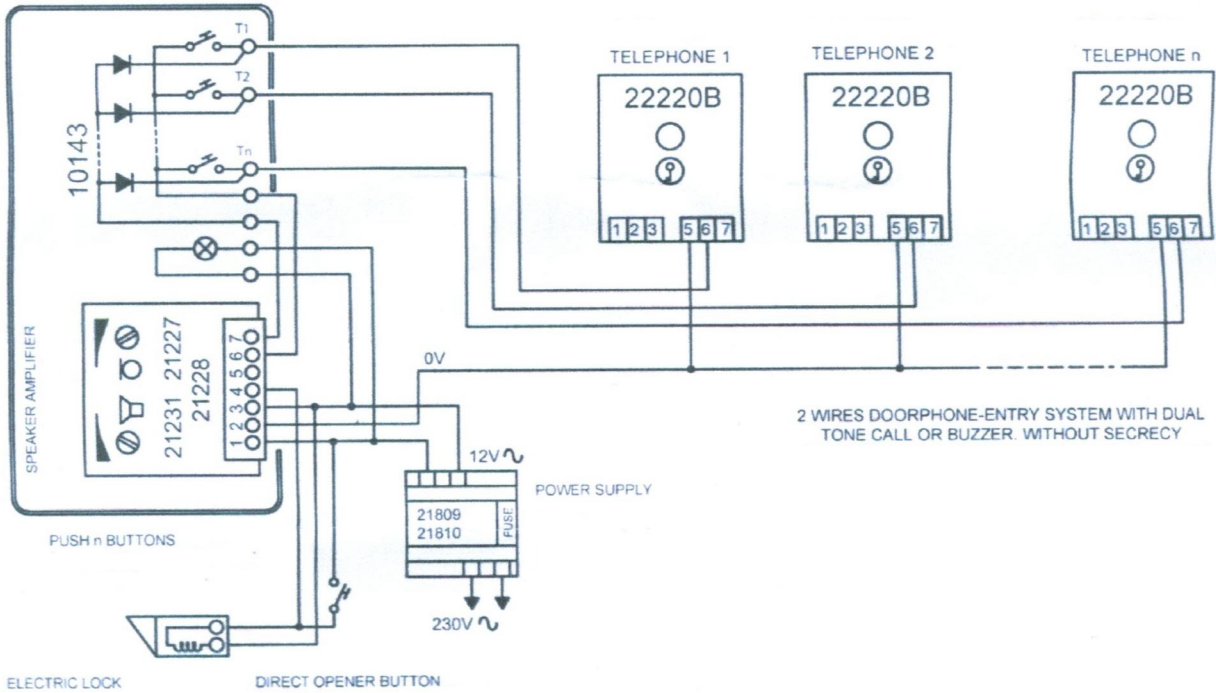
1) Before replacing the handset make note of the wires to each terminal on the existing unit (an easy way is to cut each core off leaving a piece of the insulation in place with colour visible) twist unused cores together (so you know they are not used, do not short them out).

2) Some older systems will have cable with one coloured core and a solid white core in this case mark each core with a marker or tape.

3) Some systems may have loop on wiring, you will have 2 cables into your handset (make sure any joins remain, as these may be serving other flats on the system).

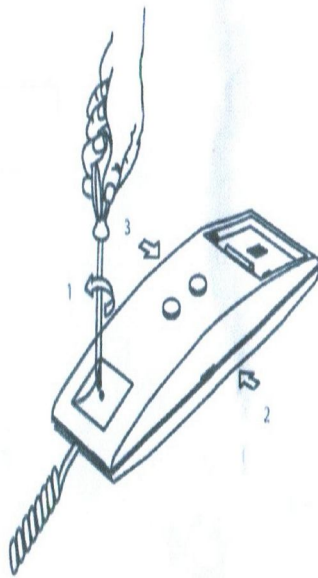
WIRING DIAGRAM

Acet 22220 (2 Wire)

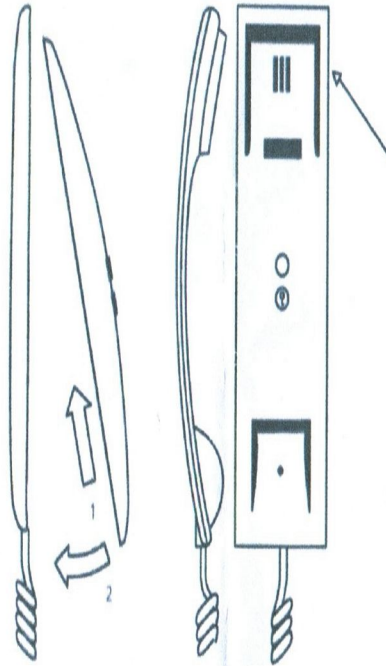


Instructions

A OPEN THE BASE



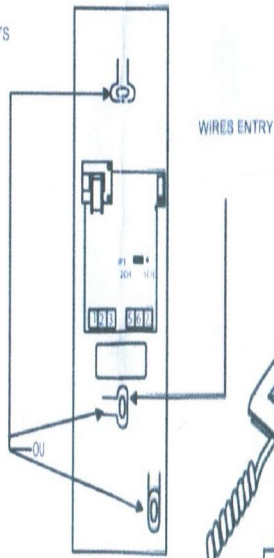
C CLOSING THE BASE



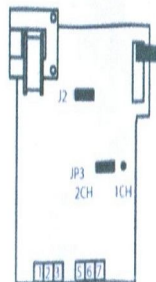
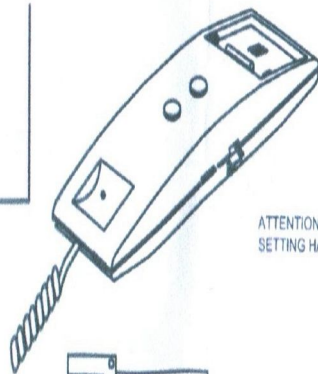
LAY HERE AND PRESS FOR CLOSING
APPLUYEZ ICI POUR FERMER
APPOGGIARE QUI E PREMERE
PER CHIUDERE

B FIXING AND CONNECTION

FIXING POINTS



WIRES ENTRY



JP3 2CH ● 1CH INSTALLATION WITH BUZZER CALL SPEAKER

JP3 2CH ■ 1CH INSTALLATION WITH DUAL TONE CALL AND BUZZER AT THE FLAT

JUMPS SETTING



HIGH VOLUME DUAL TONE CALL

MEDIUM VOLUME DUAL TONE CALL

LOW VOLUME DUAL TONE CALL

ATTENTION: WITH BUZZER TONE SPEAKER AMPLIFIER, THE VOLUME SETTING HAS TO BE PLACE ON MAX VOLUME

WEAK J2

INTERRUPTED

TERMINAL BOARD

1 - 2 : FREE SERVICE BUTTON

3 : CALL AT THE FLAT

5 : GROUND

6 : CALL AUDIO AND DOOR OPENER

WIRING DIAGRAM

Acet 22200 (2 Wire)

